



LED DOWNLIGHT 6W - SERIES D
PRODUCT INDOOR



LED DOWNLIGHT 6W

SPECIFICATION



SPECIFICATION

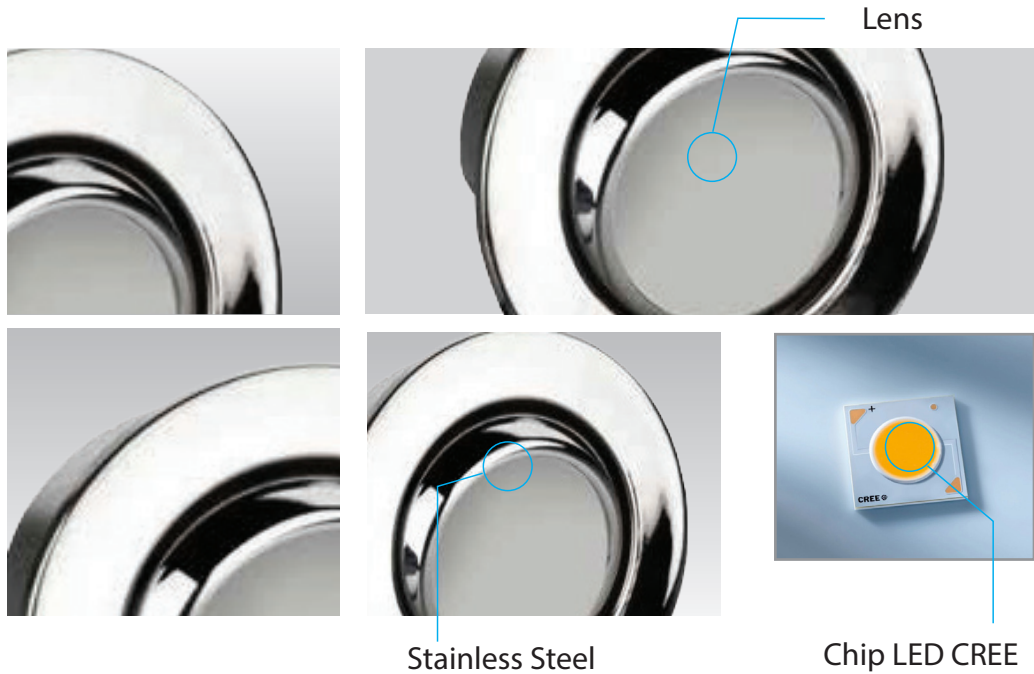
- Order Code: DD006
- Input Voltage: 24Vdc, 220Vac, Dimmable
- Dimension: Ø80xH60 Cutout Ø70 mm
- Chip LED: CREE
- Power consumption: 6W
- Luminous Flux: 540Lm at 3000K, 6W, CRI>90, 36°
- Material: Aluminium
- Efficiency: 90%
- Environment temperature: from -30° to 60°C
- Color[CRI]: 3000K, 4000K, 5000K
- CRI: >90
- Beam angle: 12° 25° 36° 50°
- IP Rating: IP44 (Update IP67)
- Life time: 50.000 hours
- Control: ON/OFF, 0 - 10V, DALI, DMX
- Standards:
 - + RoHS; EMC protection
 - + IEC 62031LED
 - + IEC 60598 Luminaires



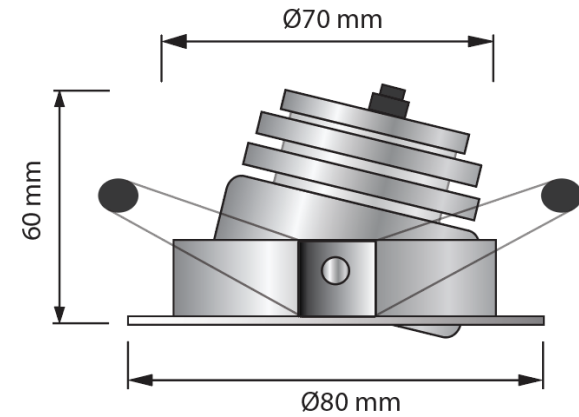
LED DOWNLIGHT 6W

TECHNICAL DETAILS

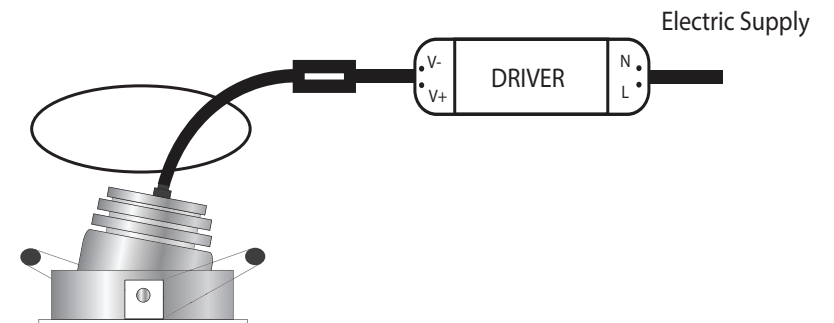
TECHNICAL DETAILS



DIMENSIONS

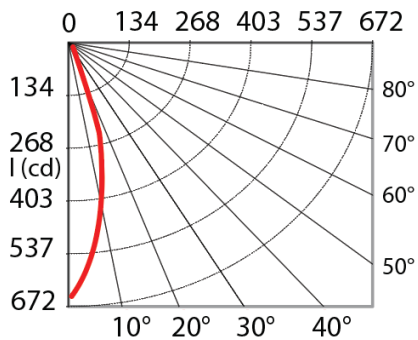


INSTALLATION

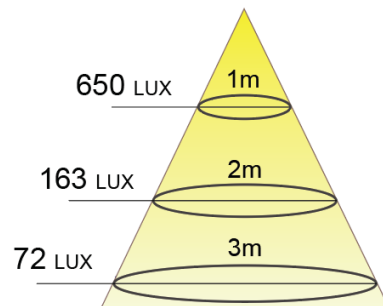


DIAGRAM

PHOTOMETRIC CURVE



BEAM 36° AMPLITUDE DIAGRAM



LED DOWNLIGHT 6W- Applications



INDOOR



HOTEL/RESTAURANT



TRANSPORT



LED DOWNLIGHT 6W - Applications





THANKS FOR YOUR
ATTENTION