



LED UNDER WATER LIGHT 5W - SERIES A
PRODUCT OUTDOOR



LED UNDER WATER LIGHT 5W

SPECCIFICATION



SPECCIFICATION

- Order Code: UA005
- Input Voltage: 24VDC
- Dimension: Ø40xH82 Cutout Ø36 mm
- Chip LED: CREE
- Power consumption: 5W
- Luminous Flux: 450lm at 3000K, 5W, CRI>90, 36°
- Material: Stainless steel
- Efficiency: 90%
- Environment temperature: from -30° to 60°C
- Color: 3000K, 4000K, 5000K
- CRI: >90
- Beam angle: 12° 15° 24° 36° 50°
- IP Rating: IP68
- Life time: 50.000 hour
- Control: ON/OFF
- Standards:
 - + RoHS; EMC protection
 - + IEC 62031LED
 - + IEC 60598 Luminaires



LED UNDER WATER LIGHT 5W

TECHNICAL DETAILS

TECHNICAL DETAILS



Lens clear

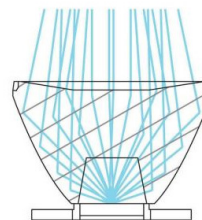


Stainless Steel



Chip LED CREE

Legace Reflektor



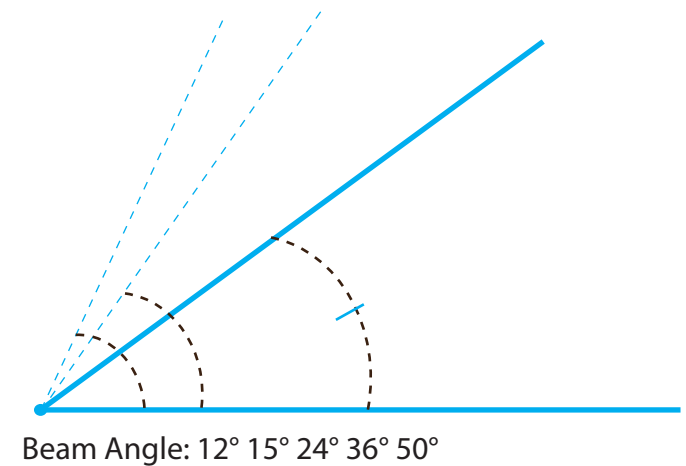
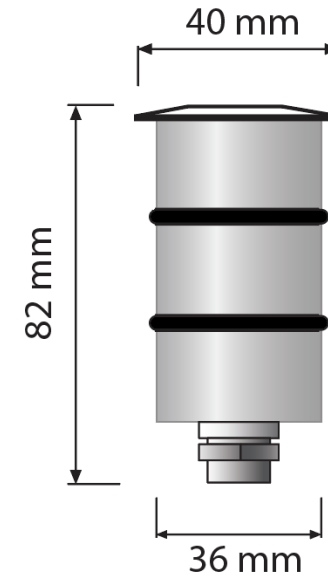
Connector IP68



Lens Clear



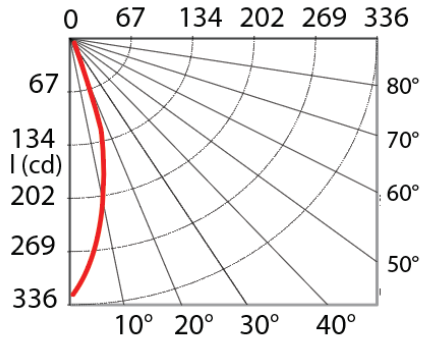
DIMENSIONS



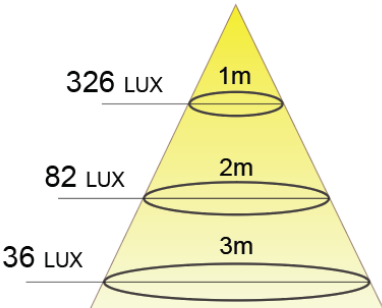
LED UNDER WATER LIGHT 5W

SPECIFICATION

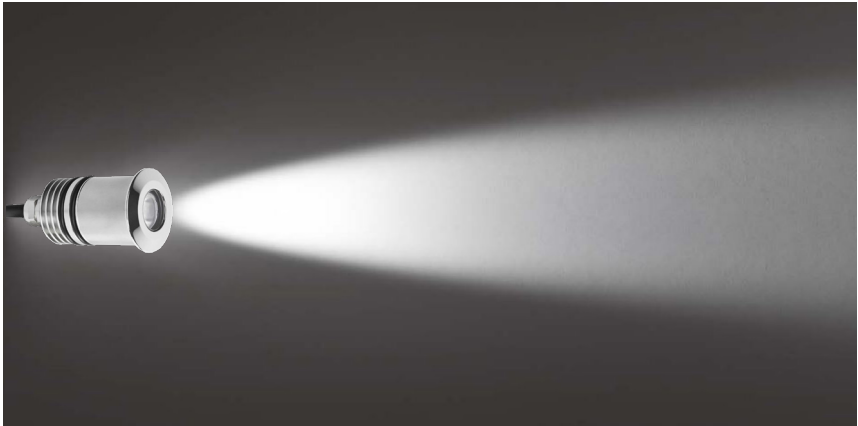
PHOTOMETRIC CURVE



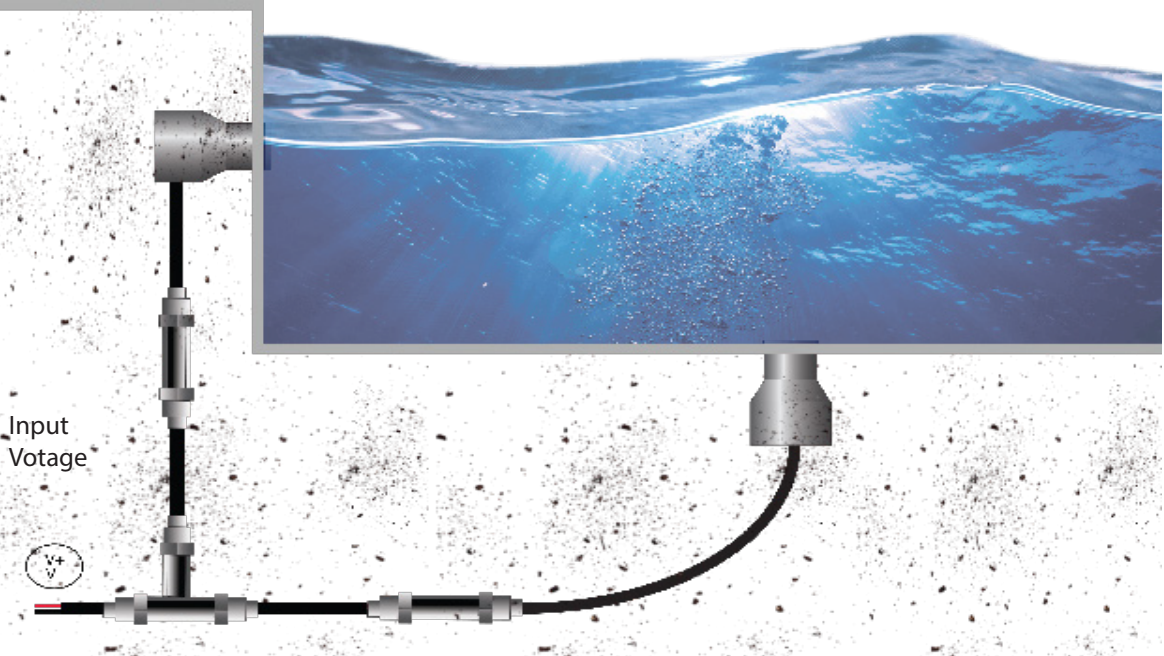
BEAM 36° AMPLITUDE DIAGRAM



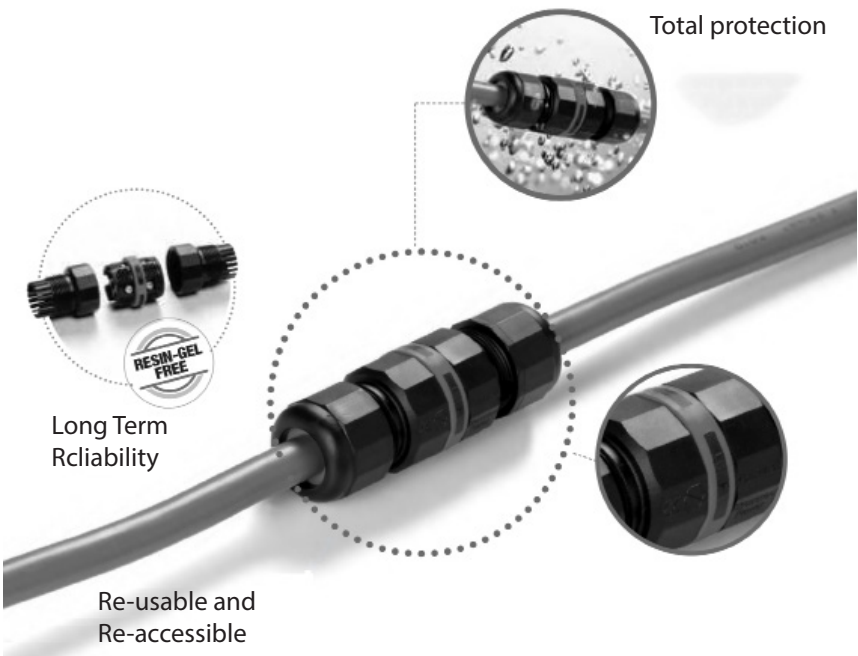
OPTICS



INSTALLATION

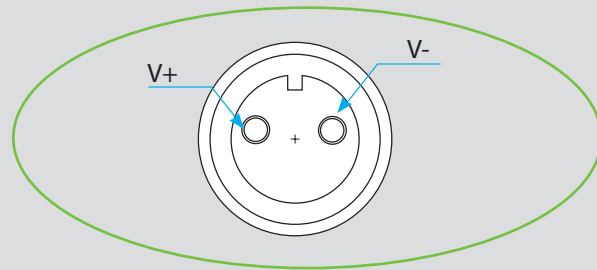
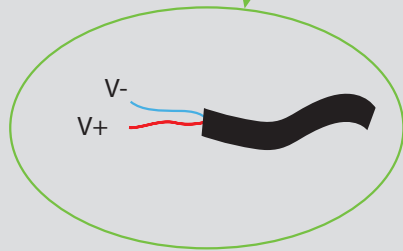
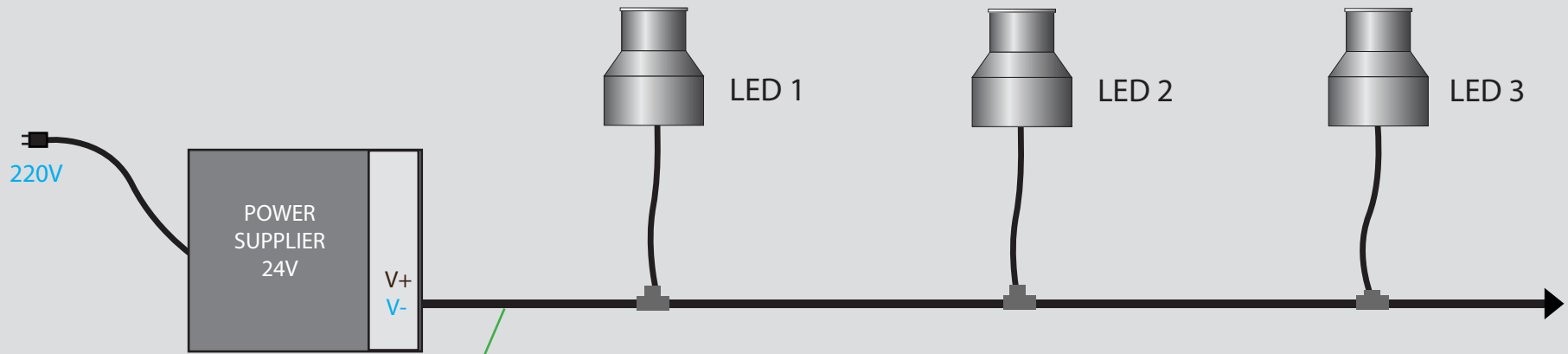


CONNECTOR IP68



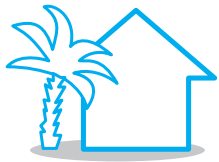
LED UNDER WATER LIGHT 5W

POWER SUPPLIES - INPUT VOTAGE



PIN DESCRIPTIONS
1. V+: 24V
2. V-: 0V

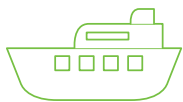
LED UNDER WATER LIGHT 5W - Applications



OUTDOOR



LANDSCAPE



LED UNDER WATER LIGHT 5W - Applications





THANKS FOR YOUR
ATTENTION