

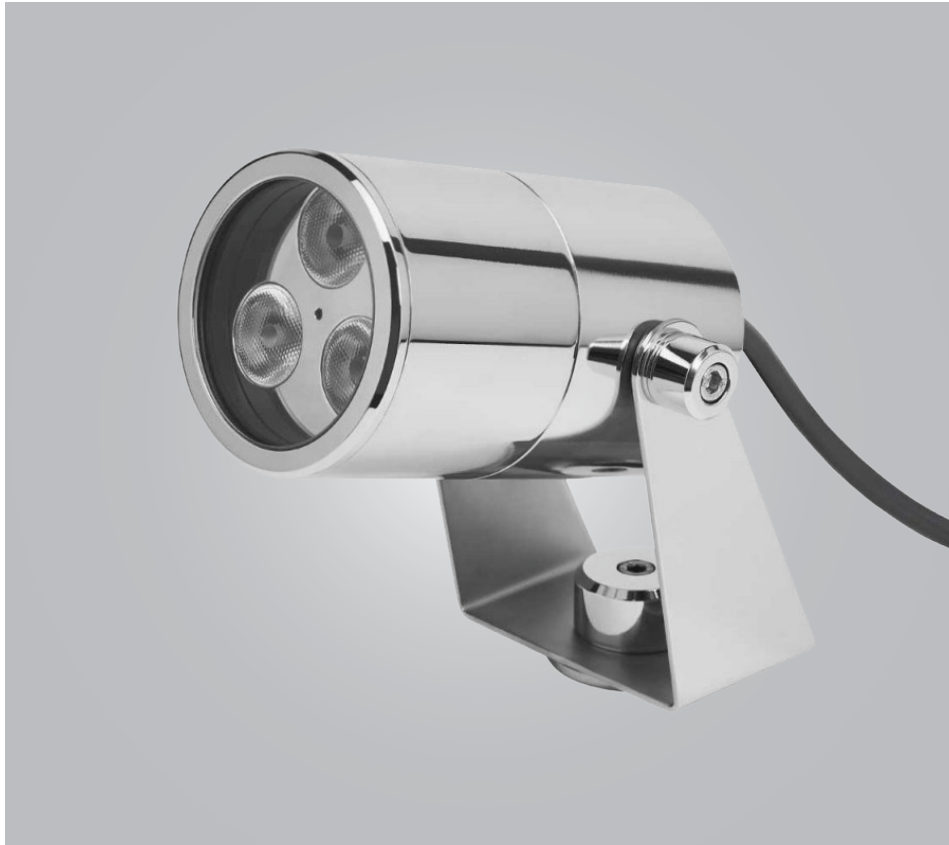


LED UNDER WATER LIGHT 15W - SERIES B
PRODUCT OUTDOOR



LED UNDER WATER LIGHT 15W

SPECCIFICATION



SPECCIFICATION

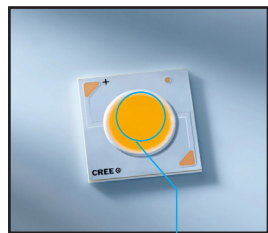
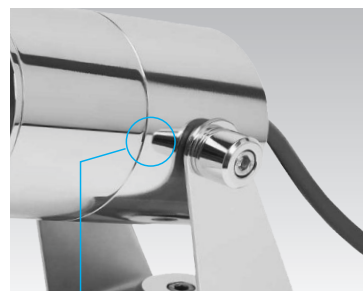
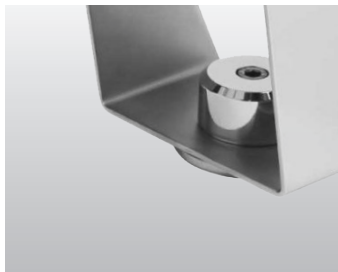
- Order Code: UB015, UB015RGBW
- Input Voltage: 24VDC
- Dimension: Ø75xL136xH127 mm
- Chip LED: CREE
- Power consumption: 15W
- Luminous Flux: 1350lm at 3000K, 15W, CRI>90, 36°
- Material: Stainless steel
- Efficiency: 90%
- Environment temperature: from -30° to 60°C
- Color: 3000K, 4000K, 5000K, RGBW
- CRI: >90
- Beam angle: 12° 15° 24° 36° 50°
- IP Rating: IP68
- Life time: 50.000 hour
- Control: ON/OFF
- Standards:
 - + RoHS; EMC protection
 - + IEC 62031LED
 - + IEC 60598 Luminaires



LED UNDER WATER LIGHT 15W

TECHNICAL DETAILS

TECHNICAL DETAILS



Chip LED CREE

Stainless Steel

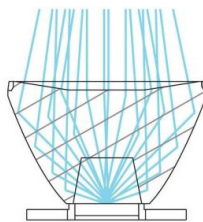
Connector IP68



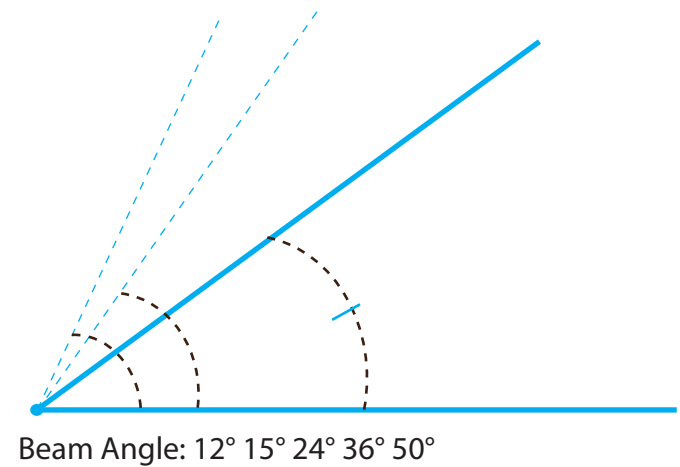
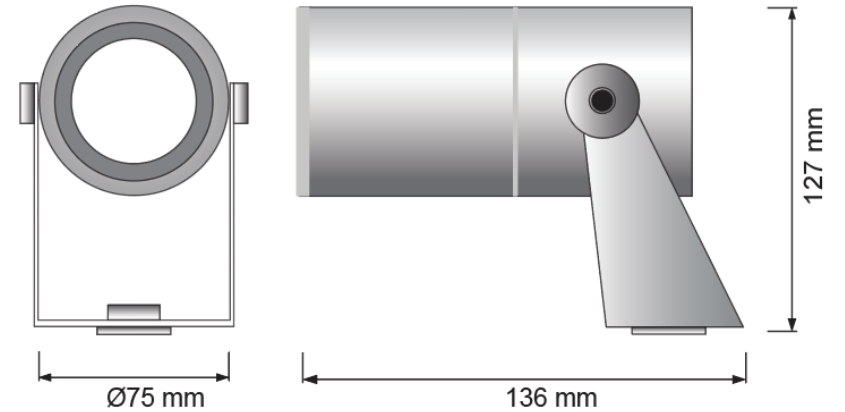
Lens Clear



Legace Reflektor



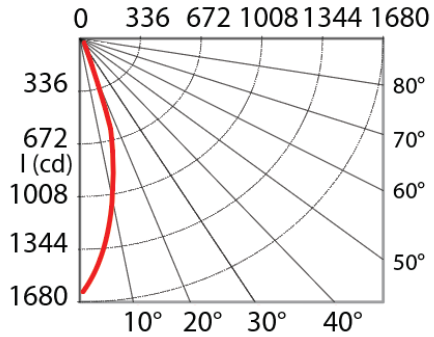
DIMENSIONS



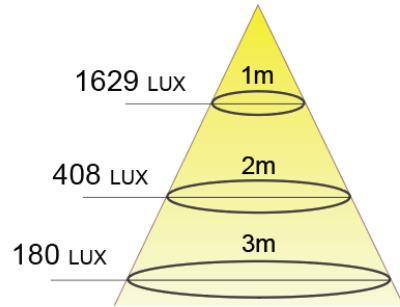
LED UNDER WATER LIGHT 15W

SPECIFICATION

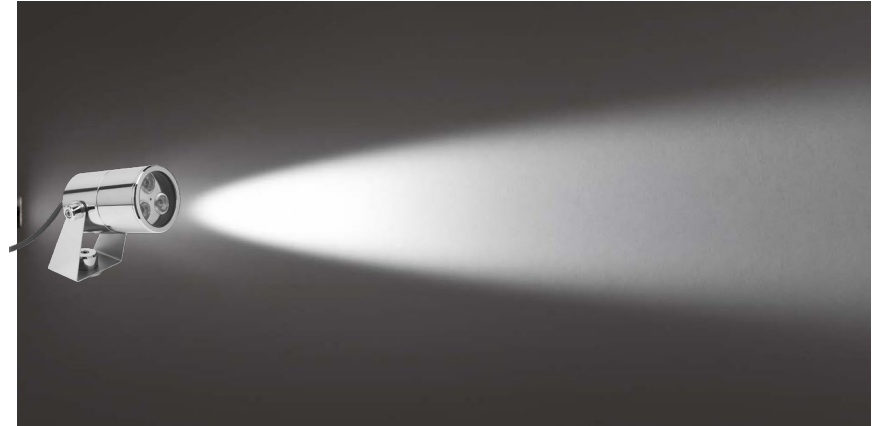
PHOTOMETRIC CURVE



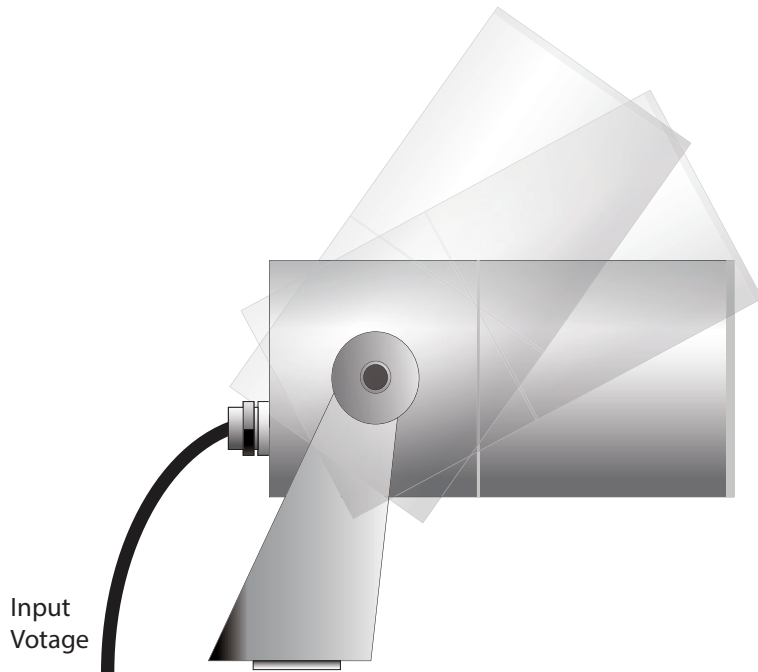
BEAM 36° AMPLITUDE DIAGRAM



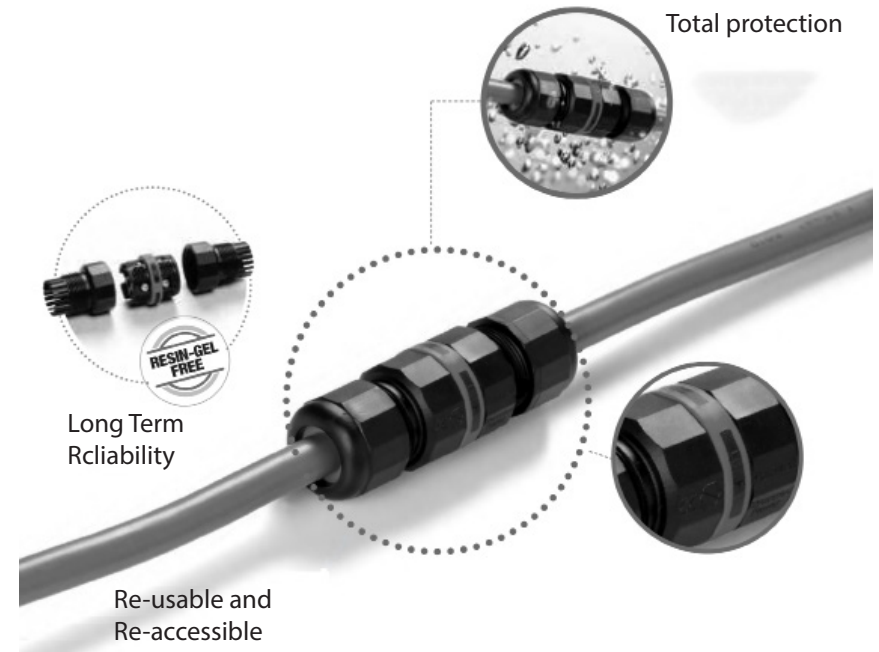
OPTICS



INSTALLATION

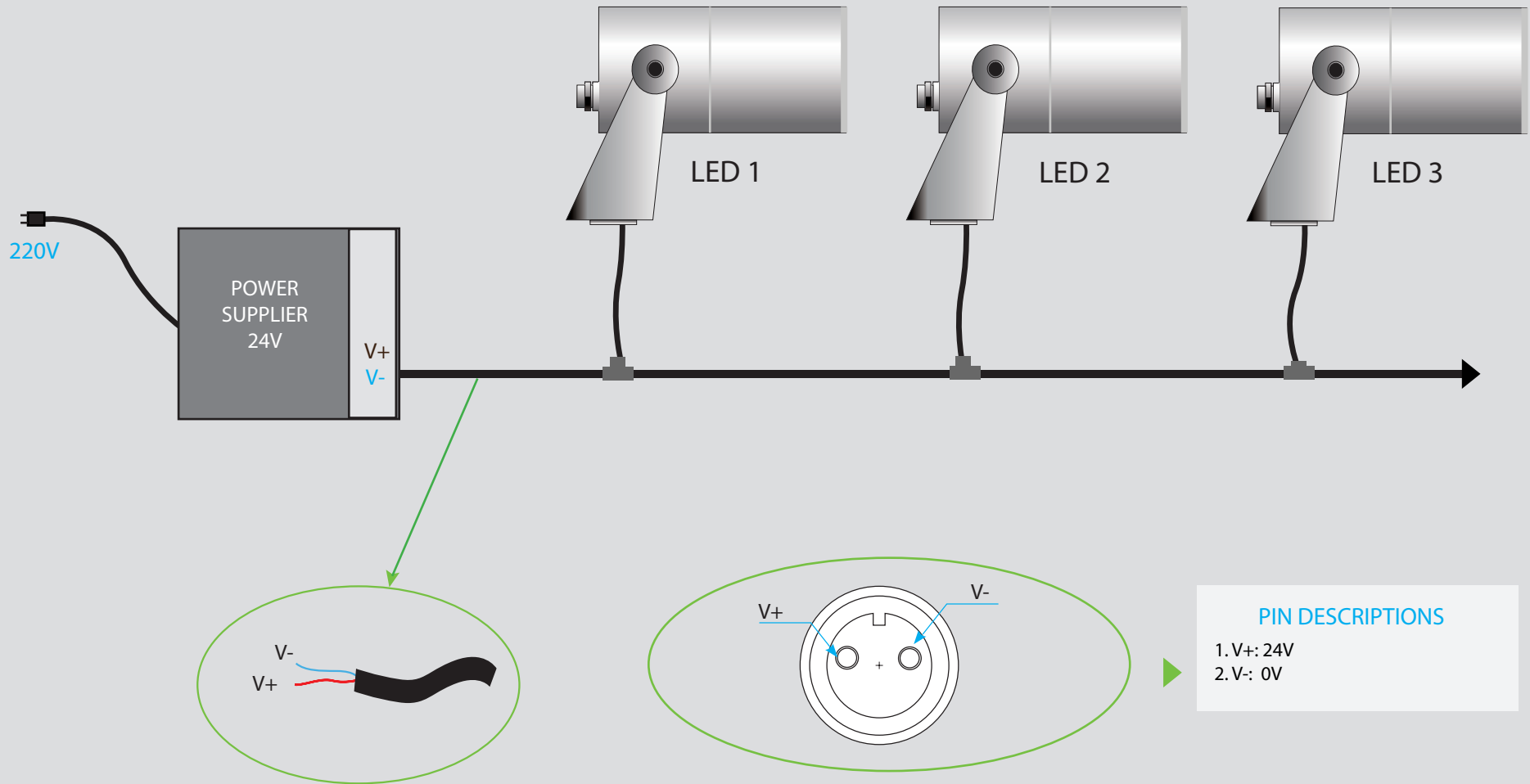


CONNECTOR IP68



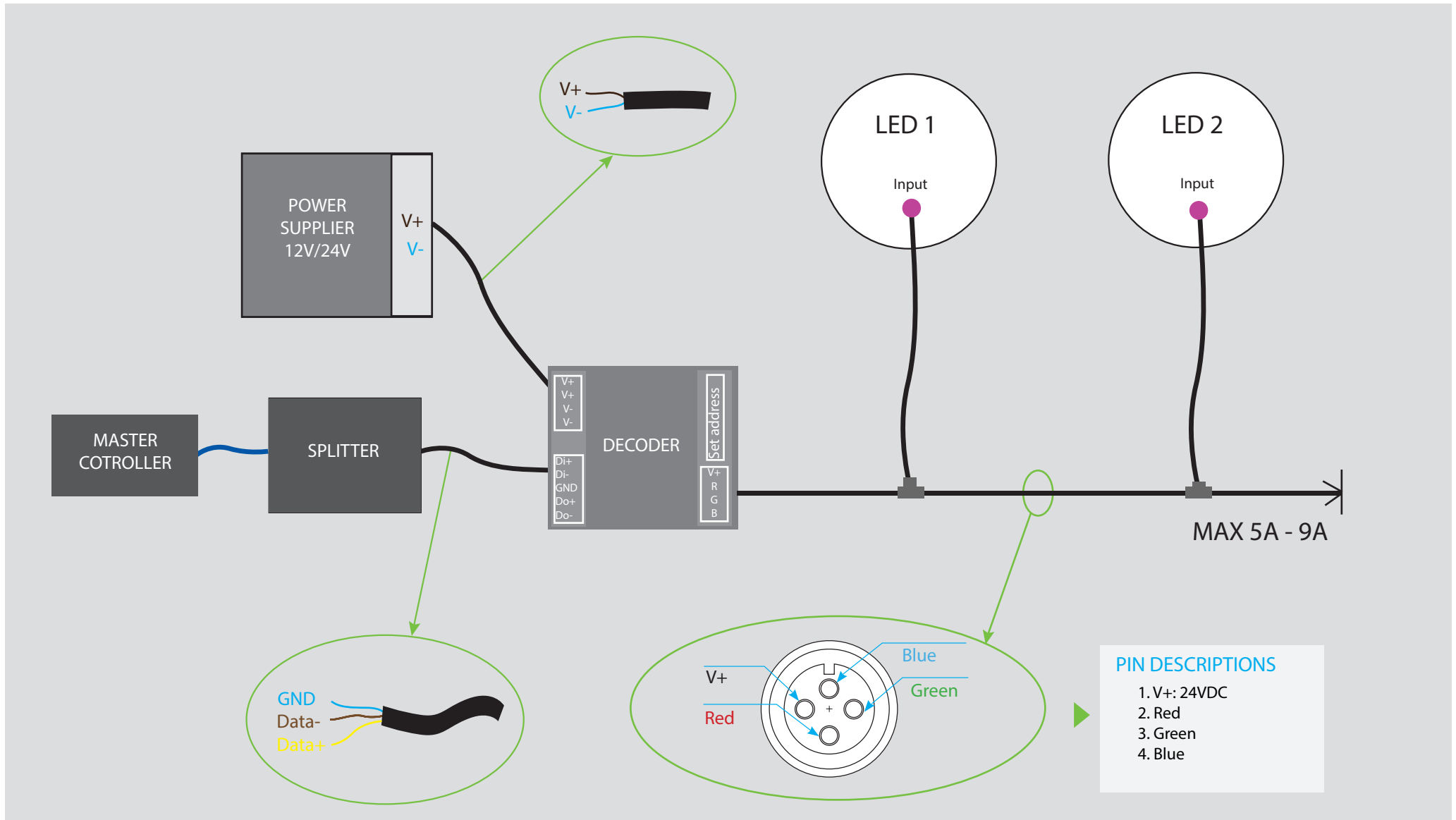
LED UNDER WATER LIGHT 15W

POWER SUPPLIES - INPUT VOTAGE



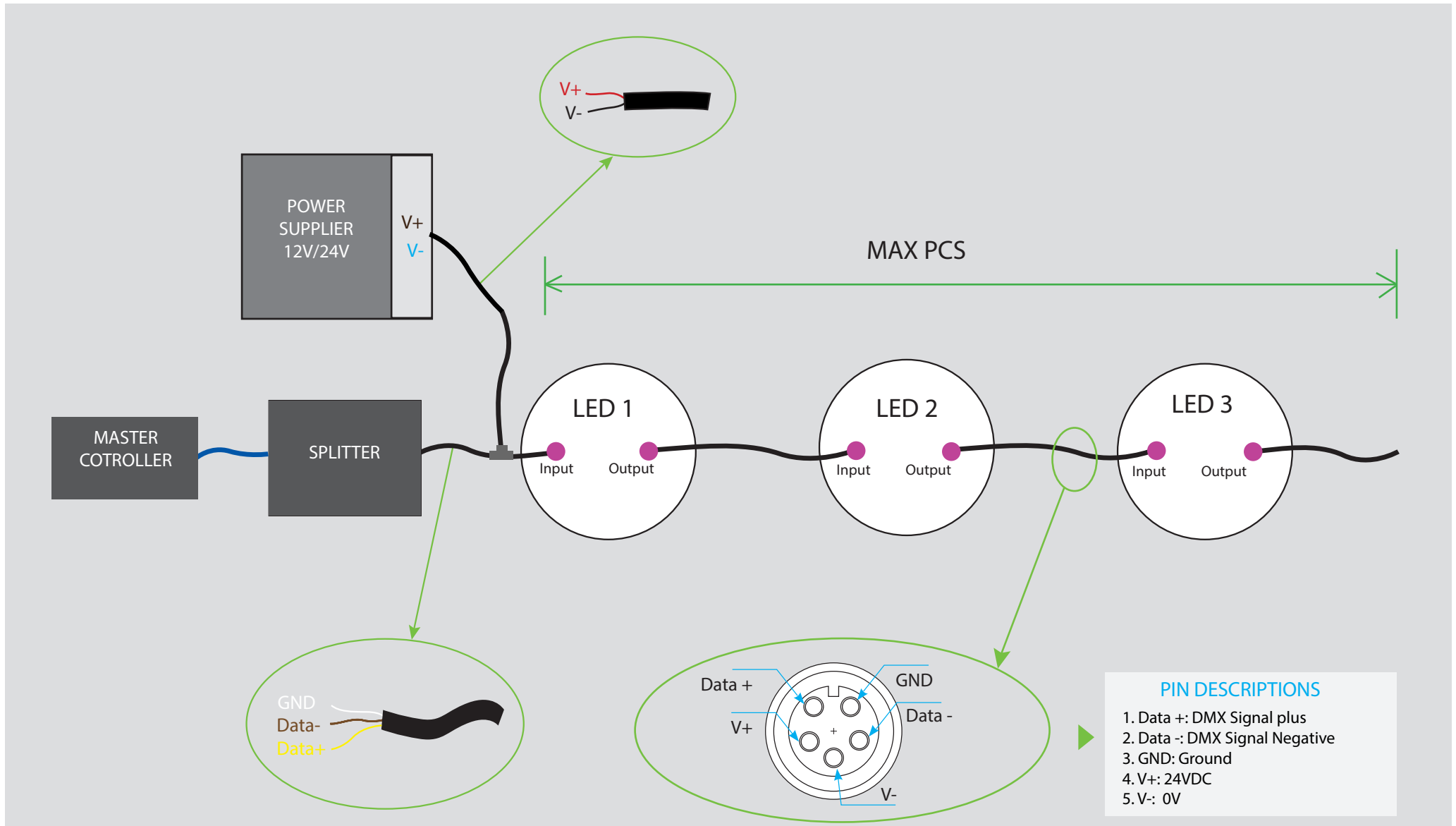
LED UNDER WATER LIGHT 15W

DIAGRAM CONNECTOR - DMX PROTOCOL - 4 CORE & DECODER

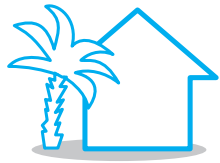


LED UNDER WATER LIGHT 15W

DIAGRAM CONNECTOR - DMX PROTOCOL - 5 CORE



LED UNDER WATER LIGHT 15W - Applications



OUTDOOR



LANDSCAPE



HOTEL/RESTAURANT



LED UNDER WATER LIGHT 15W - Applications





THANKS FOR YOUR
ATTENTION