



LED UNDER WATER LIGHT 12W - SERIES B
PRODUCT OUTDOOR



LED UNDER WATER LIGHT 12W

SPECCIFICATION



SPECCIFICATION

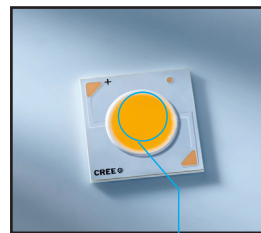
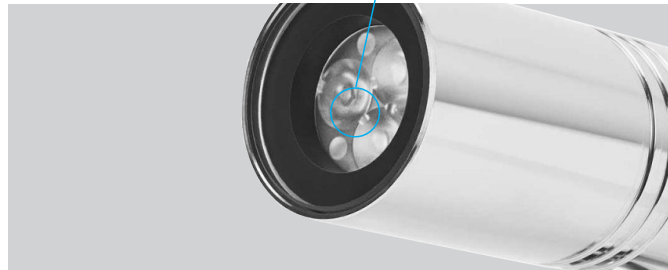
- Order Code: UB012, UB012RGBW
- Input Voltage: 24VDC
- Dimension: Ø60xL120xH85 mm
- Chip LED: CREE
- Power consumption: 12W
- Luminous Flux: 1080lm at 3000K, 12W, CRI>90, 36°
- Material: Stainless steel
- Efficiency: 90%
- Environment temperature: from -30° to 60°C
- Color: 3000K, 4000K, 5000K, RGBW
- CRI: >90
- Beam angle: 12° 15° 24° 36° 50°
- IP Rating: IP68
- Life time: 50.000 hour
- Control: ON/OFF
- Standards:
 - + RoHS; EMC protection
 - + IEC 62031LED
 - + IEC 60598 Luminaires



LED UNDER WATER LIGHT 12W

TECHNICAL DETAILS

TECHNICAL DETAILS



Chip LED CREE

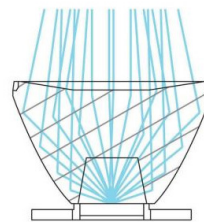
Connector IP68



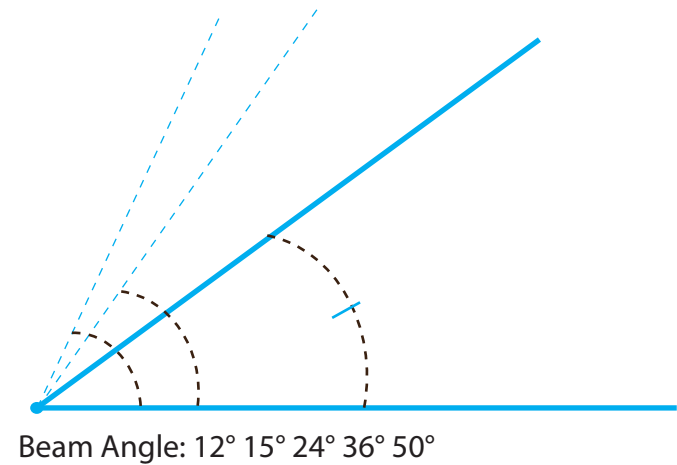
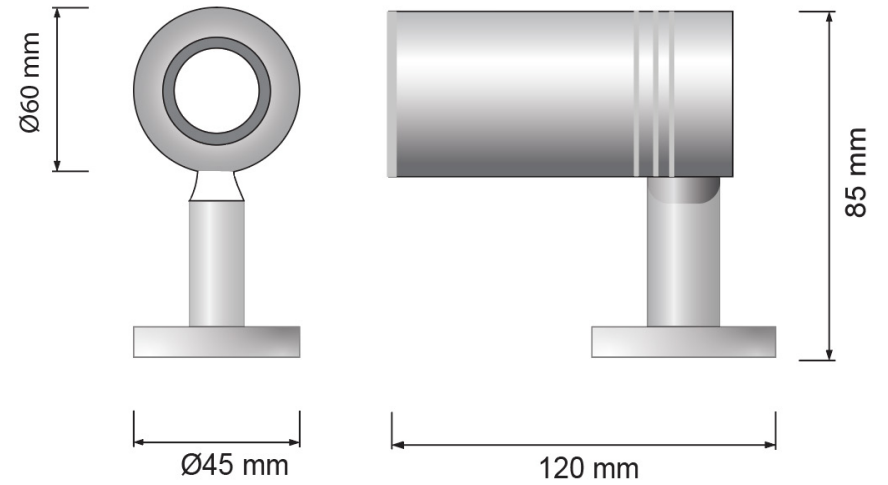
Lens Clear



Legace Reflektor



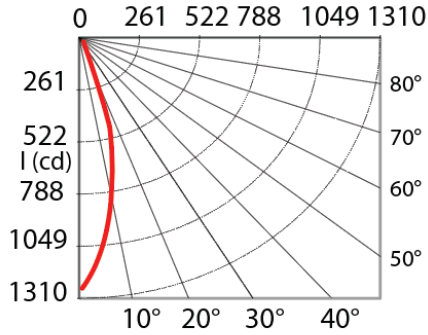
DIMENSIONS



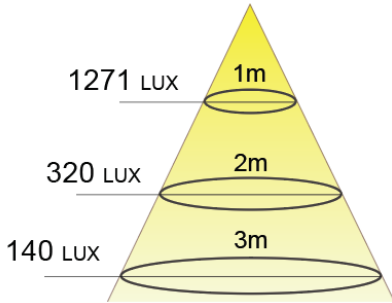
LED UNDER WATER LIGHT 12W

SPECIFICATION

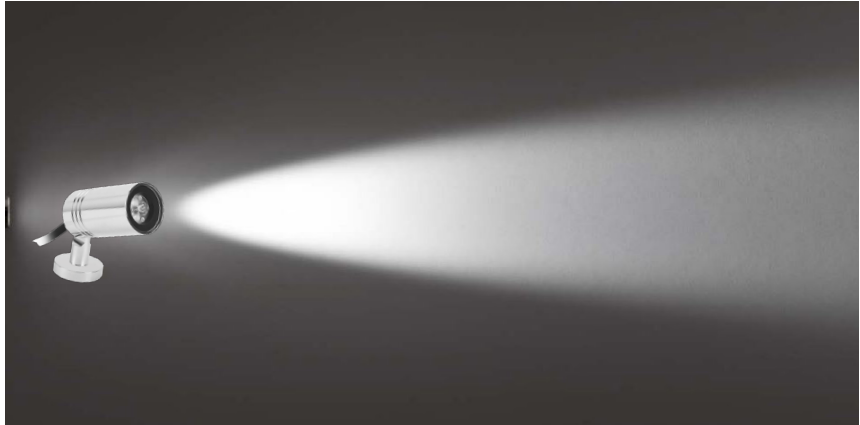
PHOTOMETRIC CURVE



BEAM 36° AMPLITUDE DIAGRAM



OPTICS



INSTALLATION

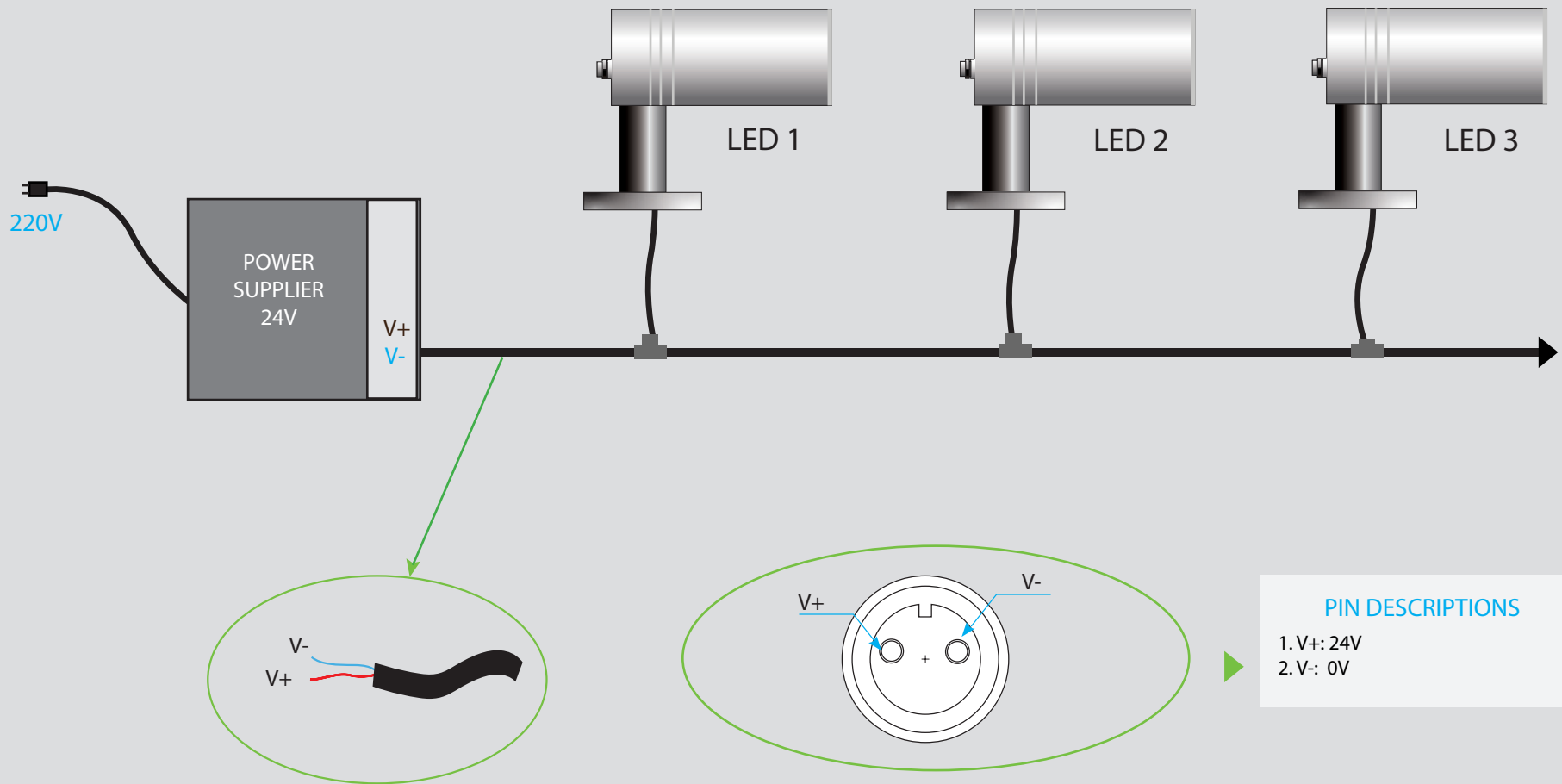


CONNECTOR IP68



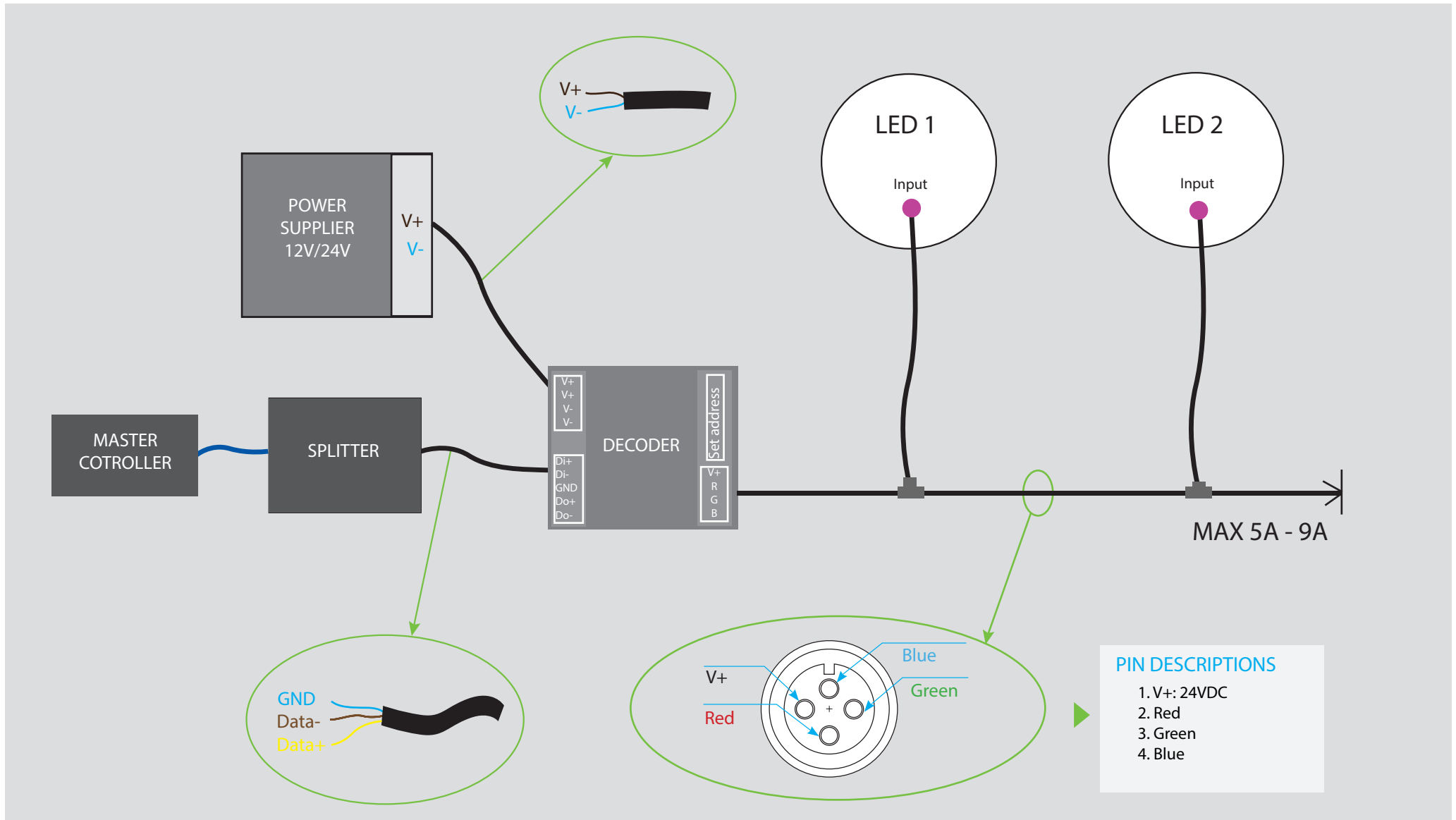
LED UNDER WATER LIGHT 12W

POWER SUPPLIES - INPUT VOTAGE



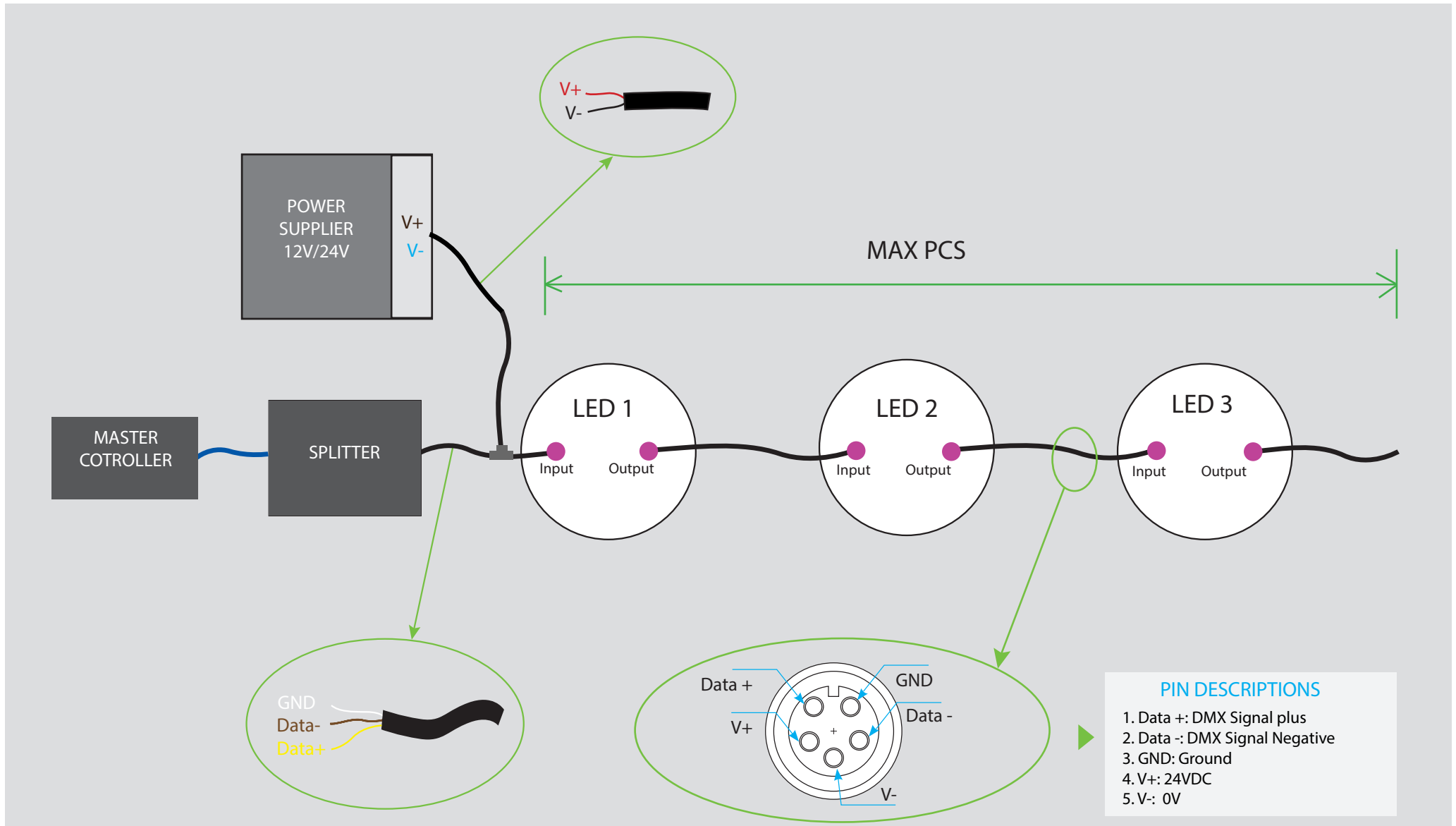
LED UNDER WATER LIGHT 12W

DIAGRAM CONNECTOR - DMX PROTOCOL - 4 CORE & DECODER



LED UNDER WATER LIGHT 12W

DIAGRAM CONNECTOR - DMX PROTOCOL - 5 CORE



LED UNDER WATER LIGHT 12W - Applications



OUTDOOR



LANDSCAPE



HOTEL/RESTAURANT



LED UNDER WATER LIGHT 12W - Applications





THANKS FOR YOUR
ATTENTION