



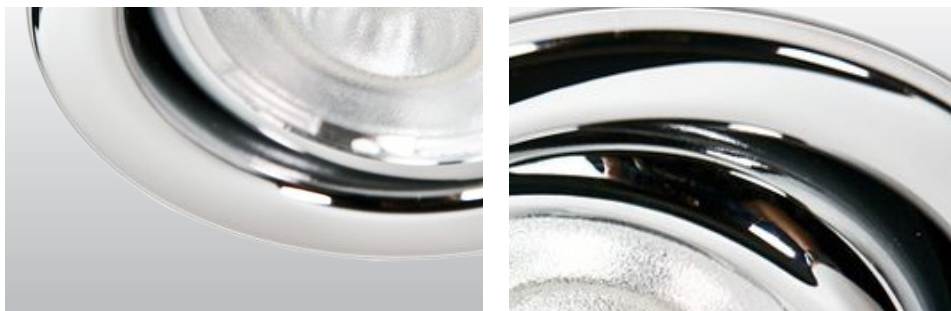
LED DOWNLIGHT 8W - SERIES D  
PRODUCT INDOOR



ASLED LIGHT CO.,LTD

# LED DOWNLIGHT 8W

## SPECIFICATION



## SPECIFICATION

- Order Code: DD008
- Input Voltage: 24Vdc, 220Vac, Dimmable
- Dimension: Ø90xH70 Cutout Ø80 mm
- Chip LED: CREE
- Power consumption: 8W
- Luminous Flux: 720Lm at 3000K, 8W, CRI>90, 36°
- Material: Aluminium
- Efficiency: 90%
- Environment temperature: from -30° to 60°C
- Color[CRI]: 3000K, 4000K, 5000K
- CRI: >90
- Beam angle: 12° 25° 36° 50°
- IP Rating: IP44 (Update IP67)
- Life time: 50.000 hours
- Control: ON/OFF, 0 - 10V, DALI, DMX
- Standards:
  - + RoHS; EMC protection
  - + IEC 62031LED
  - + IEC 60598 Luminaires



# LED DOWNLIGHT 8W

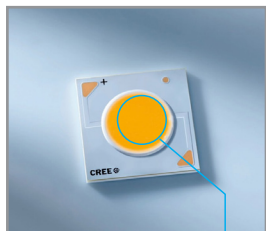
## TECHNICAL DETAILS

### TECHNICAL DETAILS

Lens



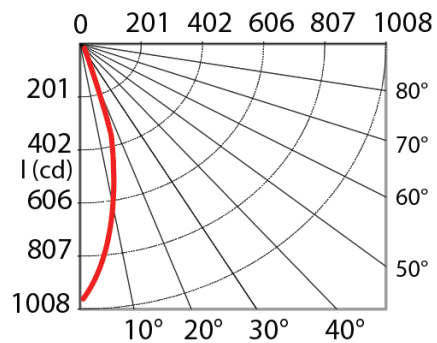
Stainless Steel



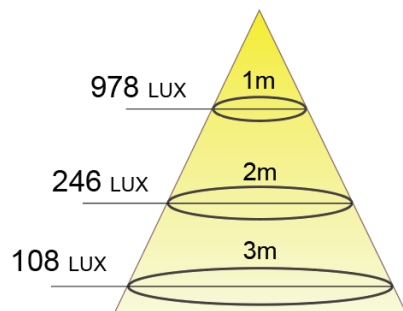
Chip LED CREE

### DIAGRAM

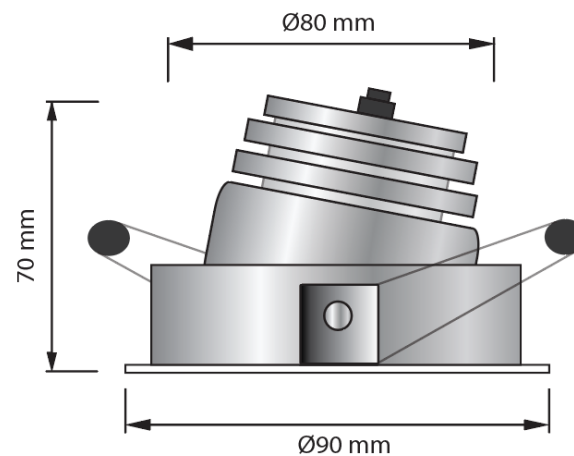
PHOTOMETRIC CURVE



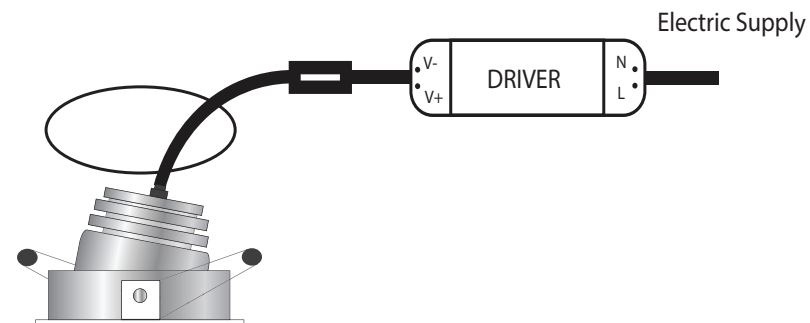
BEAM 36° AMPLITUDE DIAGRAM



### DIMENSIONS



### INSTALLATION



# LED DOWNLIGHT 8W- Applications



INDOOR



HOTEL/RESTAURANT



TRANSPORT



## LED DOWNLIGHT 8W - Applications





THANKS FOR YOUR  
ATTENTION