



LED INGROUND LIGHT 25W - SERIES A
PRODUCT OUTDOOR



LED INGROUND LIGHT 25W

SPECIFICATION



SPECIFICATION

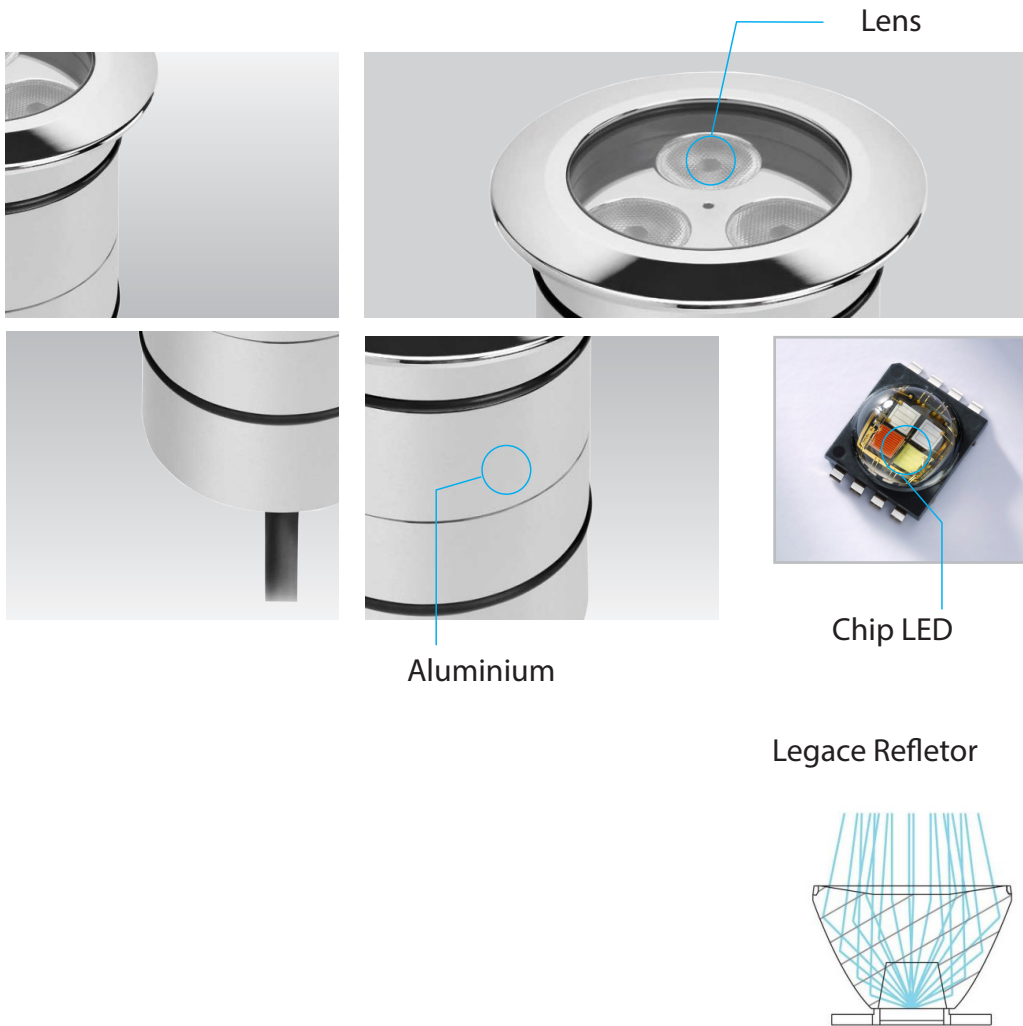
- Order Code: IA025, IA025RGBW
- Input Voltage: 24VDC, 220V
- Dimension: Ø100xH152 Cutout Ø88 mm
- Chip LED: CREE
- Power consumption: 25W
- Lumen Output: 2250 lm
- Material: Aluminium
- Efficiency: 90%
- Environment temperature: from -30° to 60°C
- Color[CRI]: 3000K, 4000k, 5000k, RGBW
- CRI: >90
- Beam angle: 12° 24° 36° 50°
- IP Rating: IP68
- Life time: 50.000 hour
- Control: ON/OFF, DIM 0 - 10V, DALI, DMX512
- Standards:
 - + RoHS; EMC protection
 - + IEC 62031LED
 - + IEC 60598 Luminaires



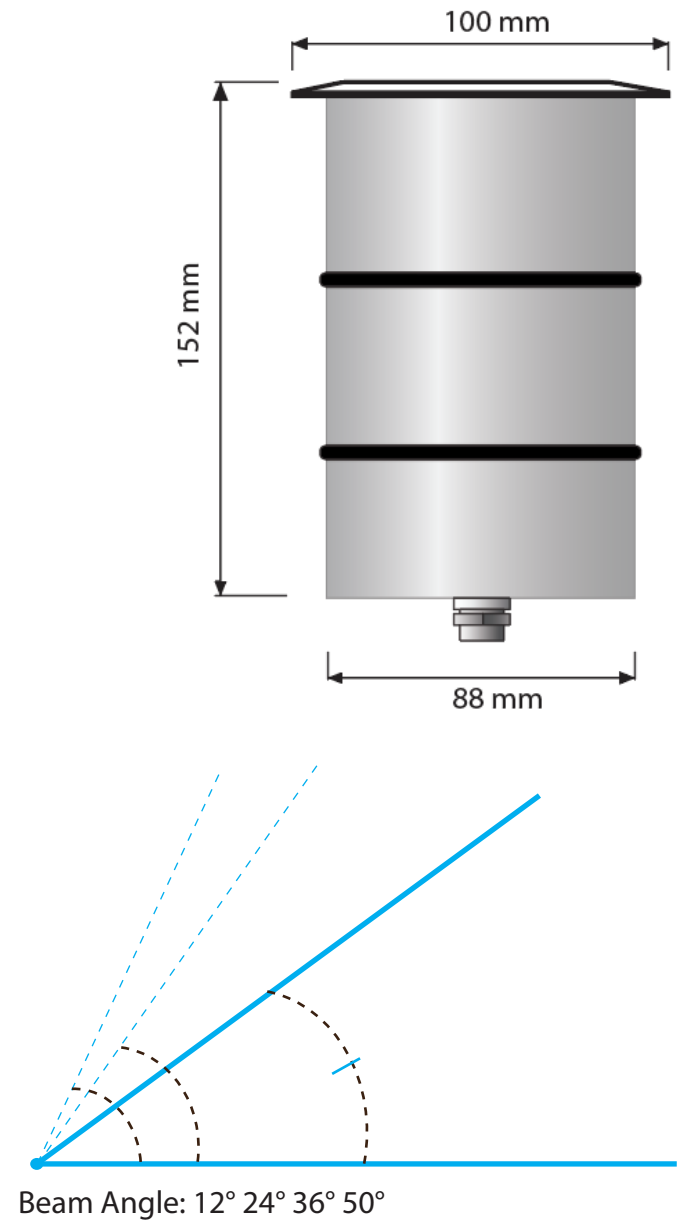
LED INGROUND LIGHT 25W

TECHNICAL DETAILS

TECHNICAL DETAILS



DIMENSIONS

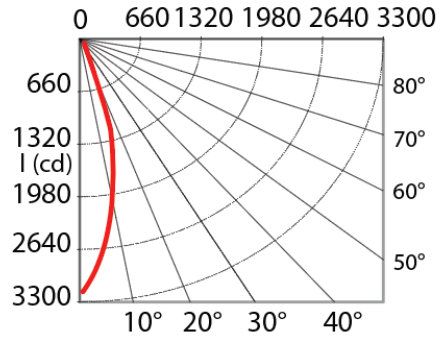


LED INGROUND LIGHT 25W

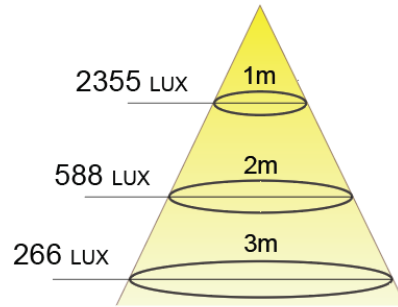
SPECIFICATION

36° Beam Angle

PHOTOMETRIC CURVE

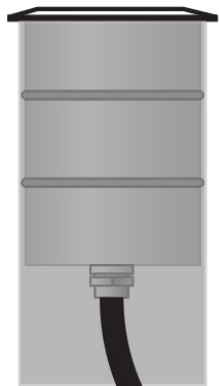


BEAM 36° AMPLITUDE DIAGRAM



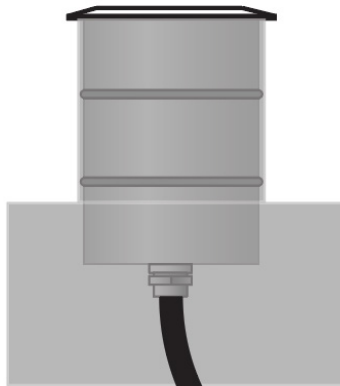
INSTALLATION

Option 1



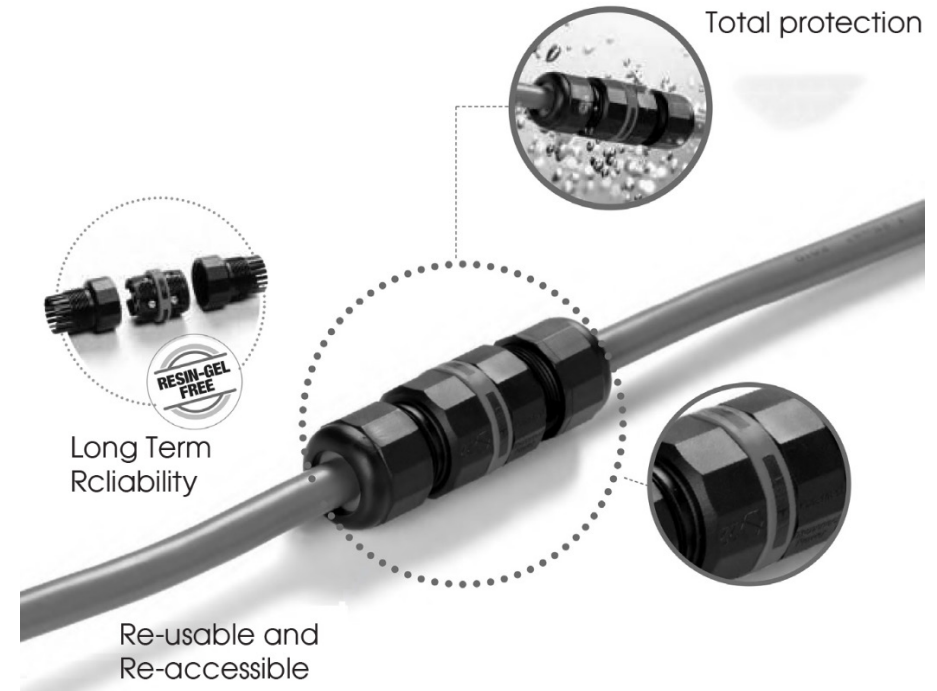
Input Voltage

Option 2



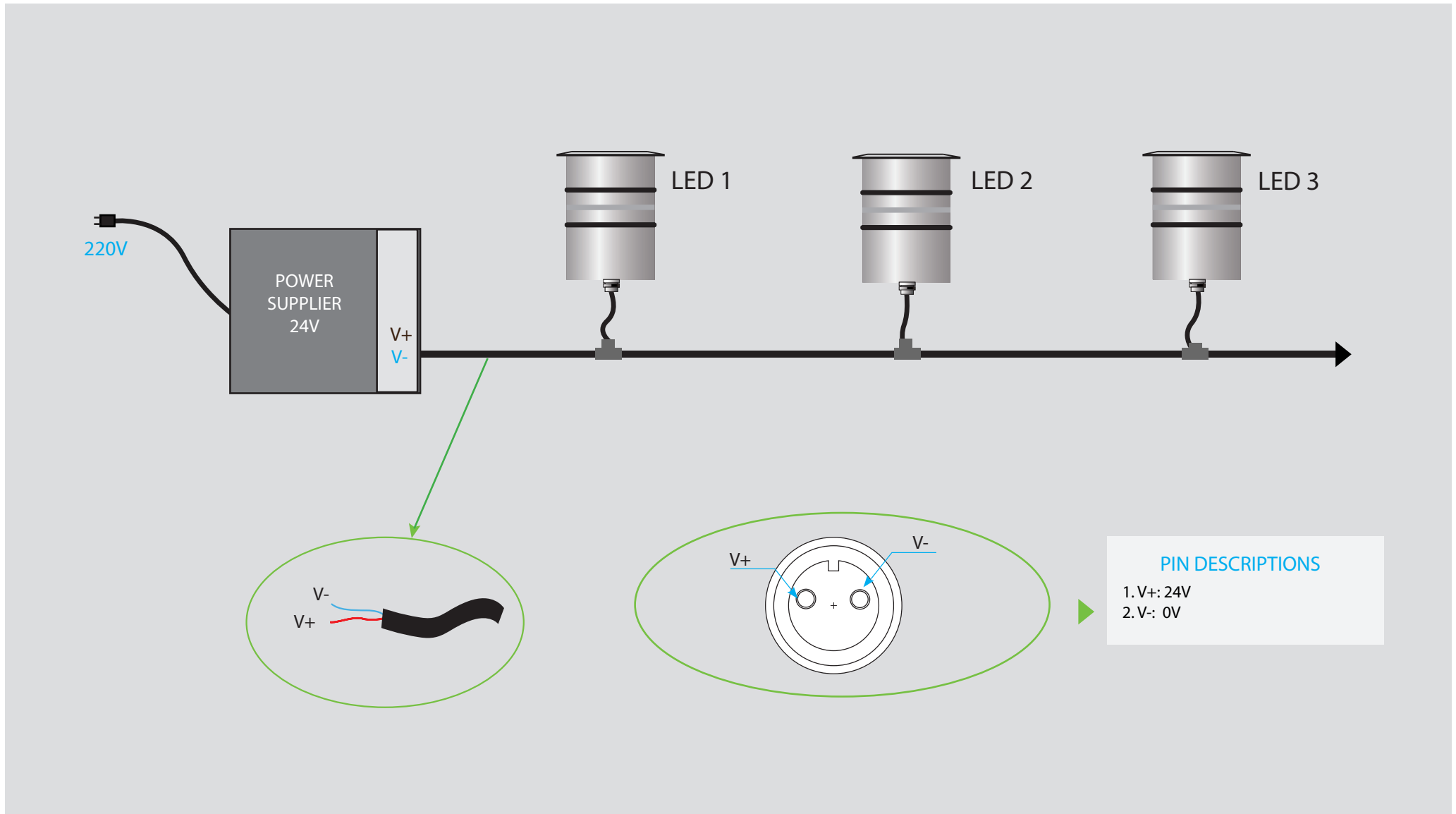
Input Voltage

CONNECTOR IP68



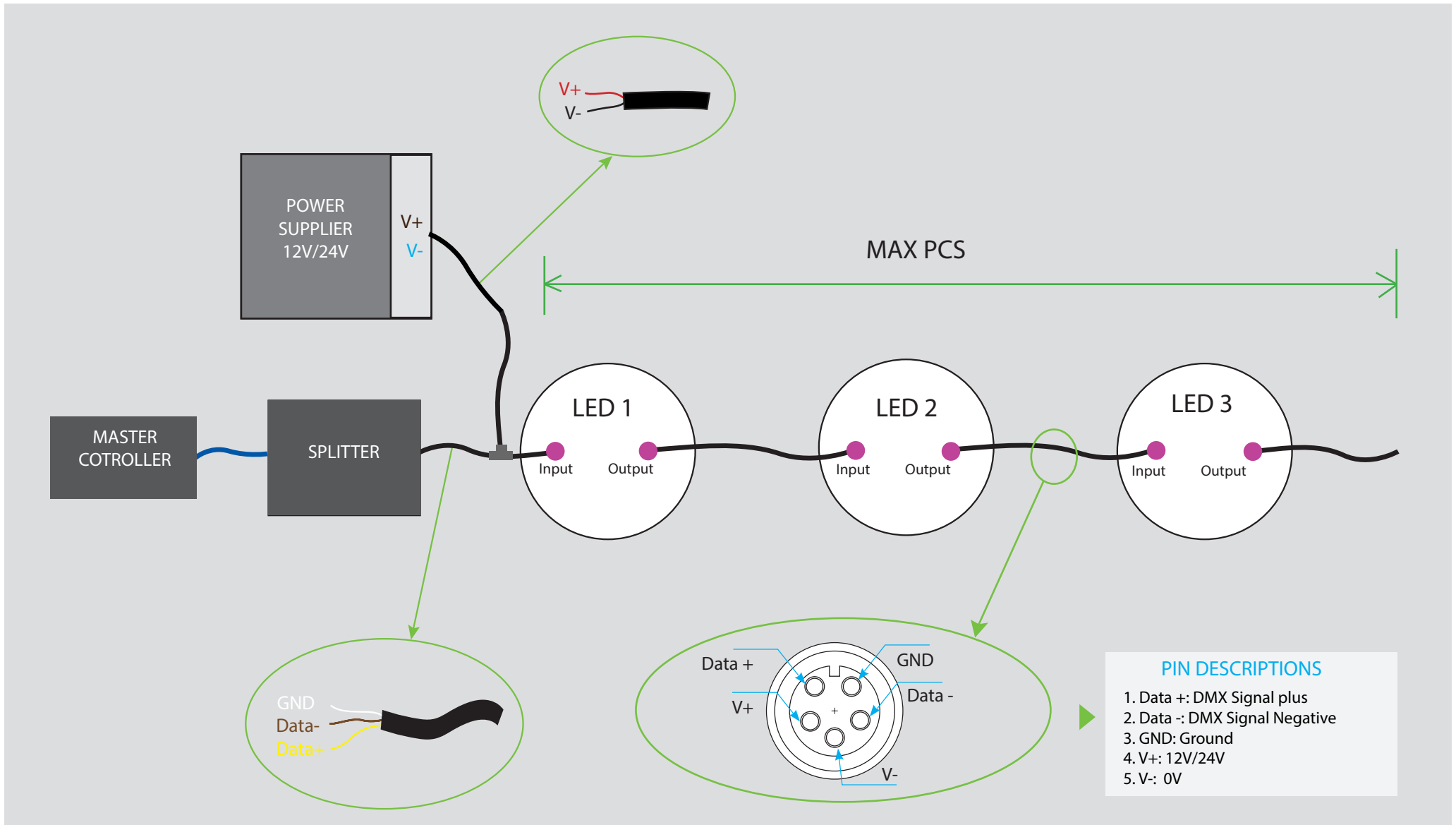
LED INGROUND LIGHT 25W

POWER SUPPLIES - INPUT VOTAGE



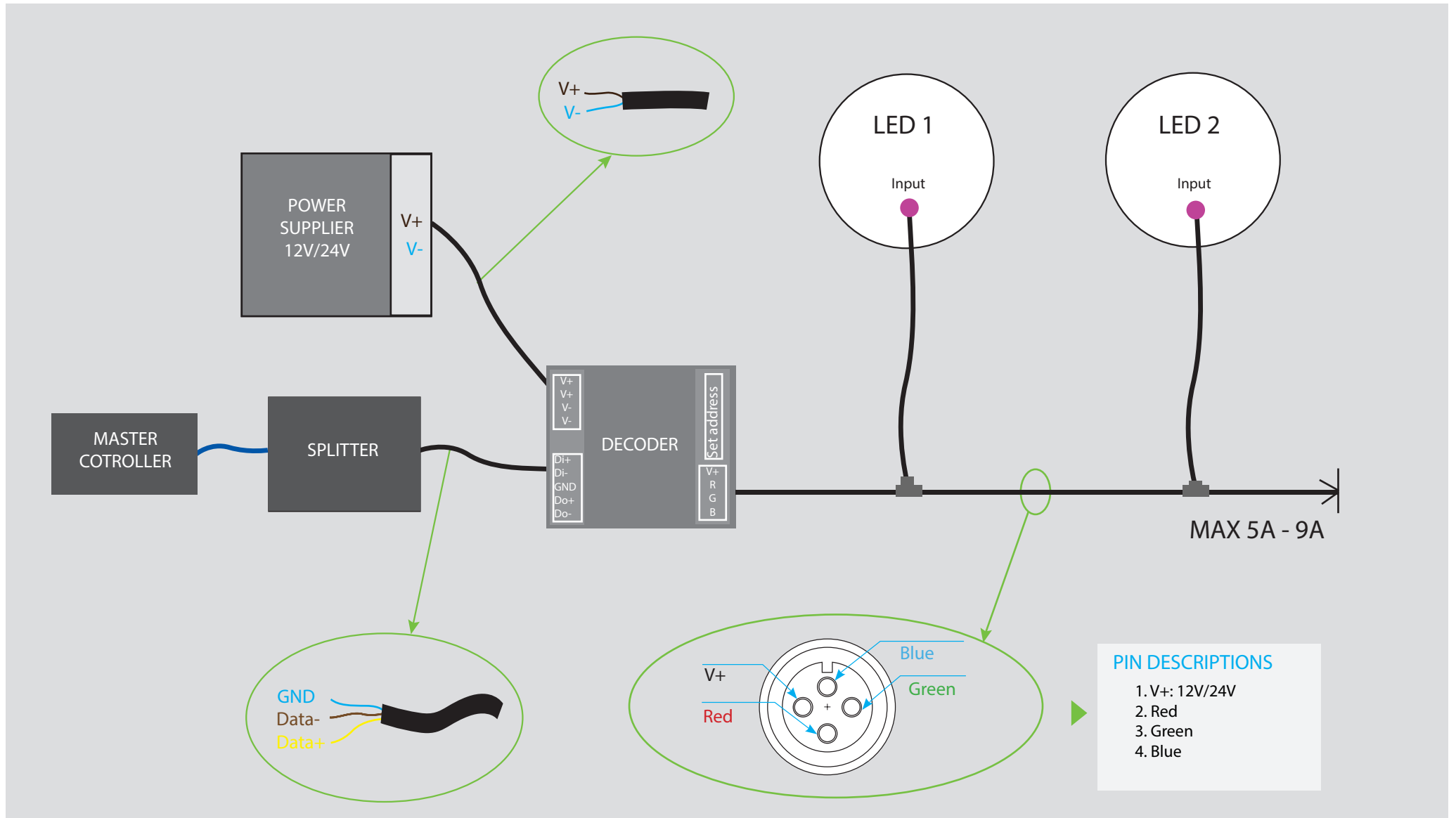
LED INGROUND LIGHT 25W

DIAGRAM CONNECTOR - DMX PROTOCOL - 5 CORE

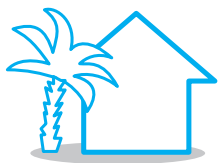


LED INGROUND LIGHT 25W

DIAGRAM CONNECTOR - DMX PROTOCOL - 4 CORE & DECODER



LED INGROUND LIGHT 25W - Applications



OUTDOOR



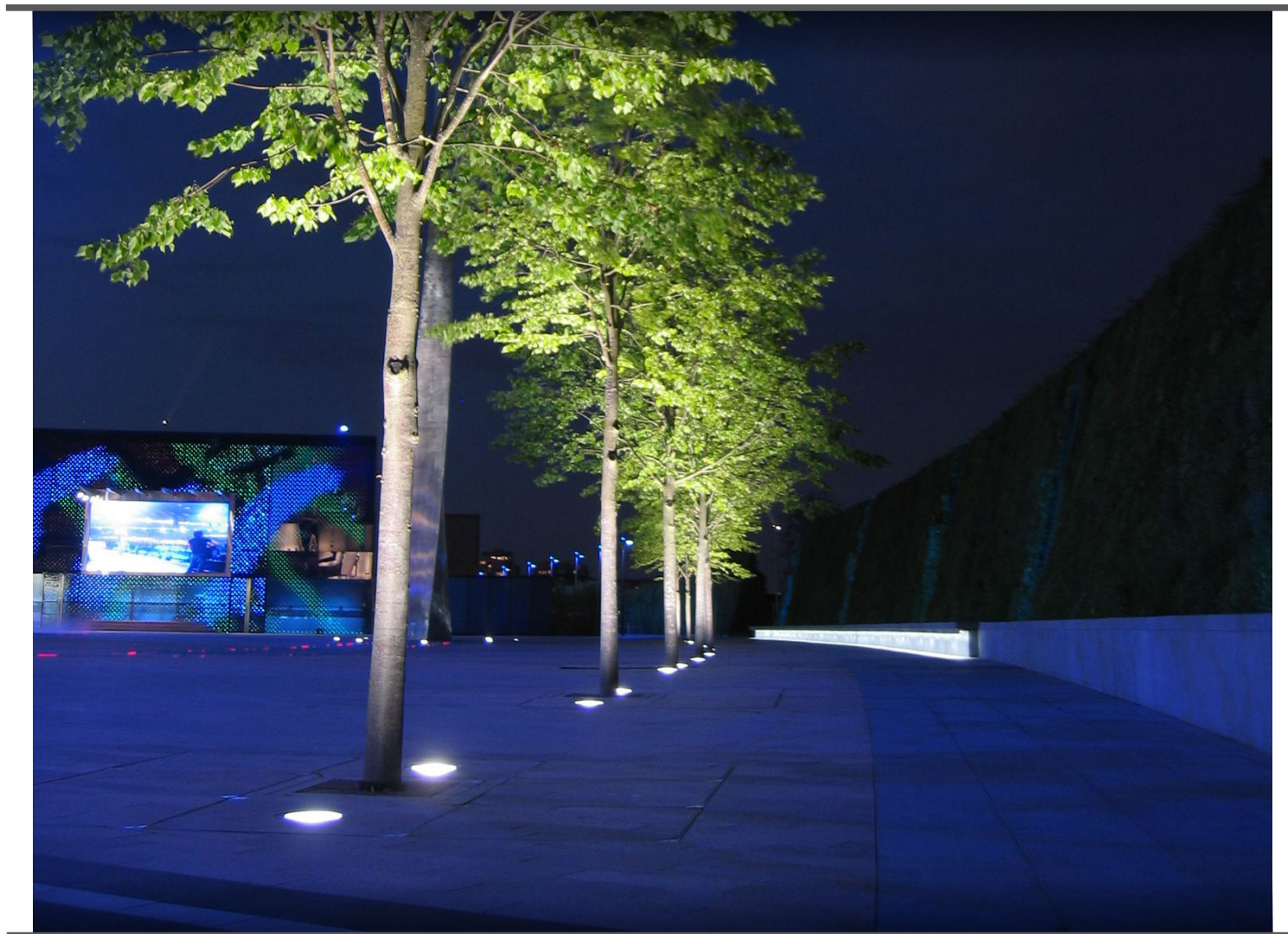
LANDSCAPE



HOTEL/RESTAURANT



FACADE BUILDING



LED INGROUND LIGHT 25W - Applications





THANKS FOR YOUR
ATTENTION