



LED INGROUND LIGHT 18W - SERIES A  
PRODUCT OUTDOOR



# LED INGROUND LIGHT 18W

## SPECIFICATION



## SPECIFICATION

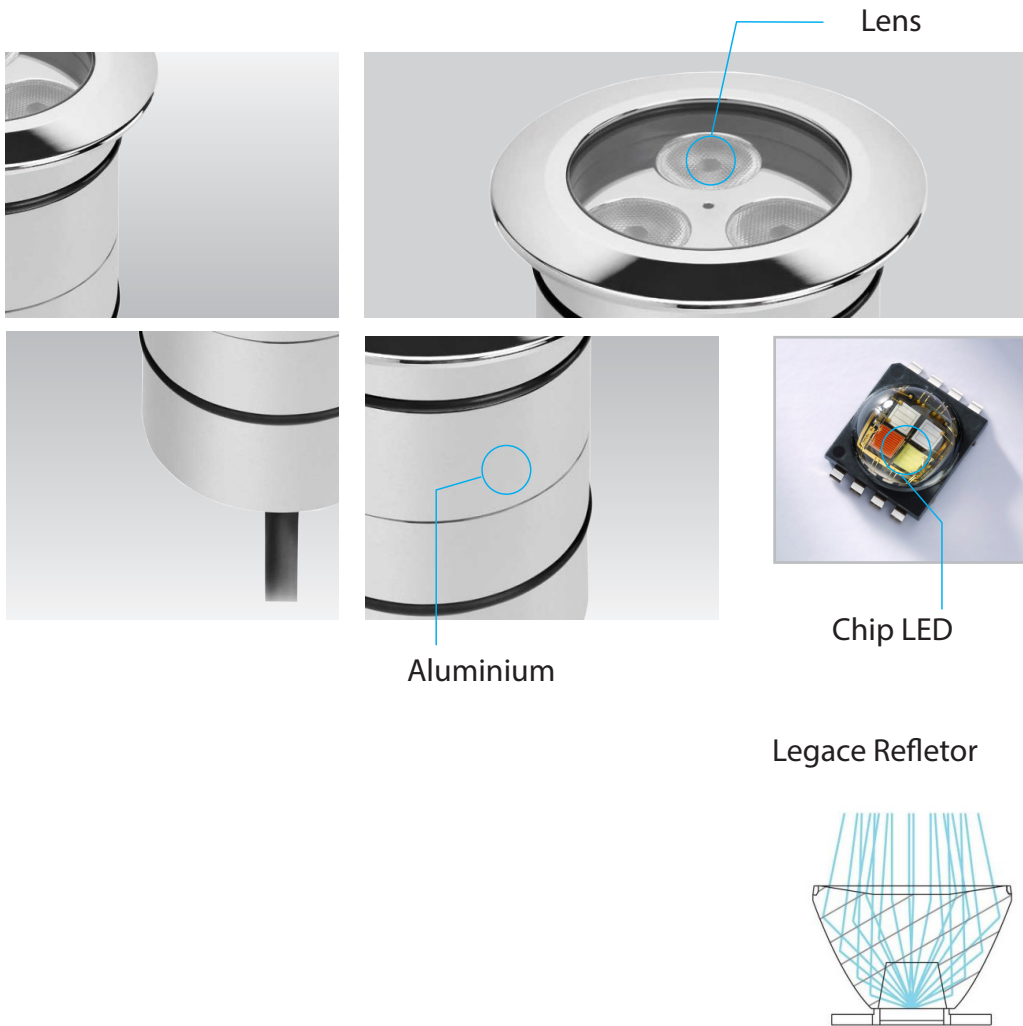
- Order Code: IA018, IA018RGBW
- Input Voltage: 24VDC, 220V
- Dimension: Ø90xH125 Cutout Ø74 mm
- Chip LED: CREE
- Power consumption: 18W
- Lumen Output: 1620 lm
- Material: Aluminium
- Efficiency: 90%
- Environment temperature: from -30° to 60°C
- Color[CRI]: 3000K, 4000k, 5000k, RGBW
- CRI: >90
- Beam angle: 12° 24° 36° 50°
- IP Rating: IP68
- Life time: 50.000 hour
- Control: ON/OFF, DIM 0 - 10V, DALI, DMX512
- Standards:
  - + RoHS; EMC protection
  - + IEC 62031LED
  - + IEC 60598 Luminaires



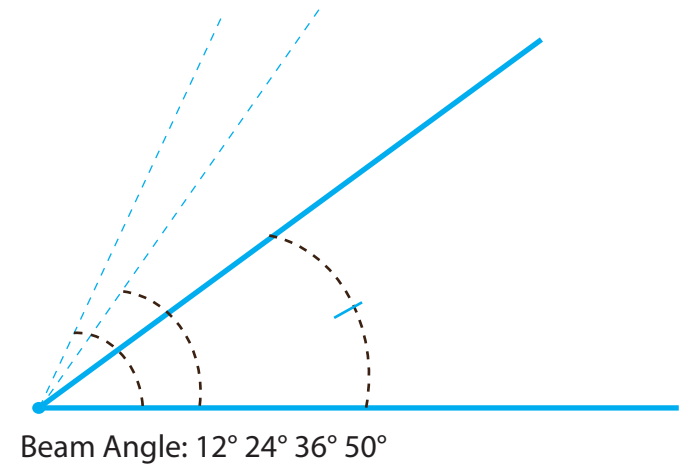
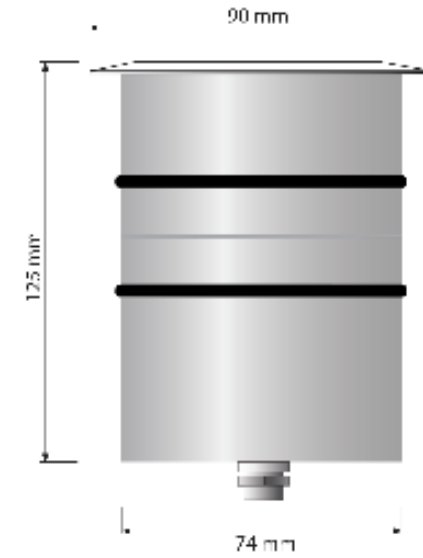
# LED INGROUND LIGHT 18W

## TECHNICAL DETAILS

### TECHNICAL DETAILS



## DIMENSIONS

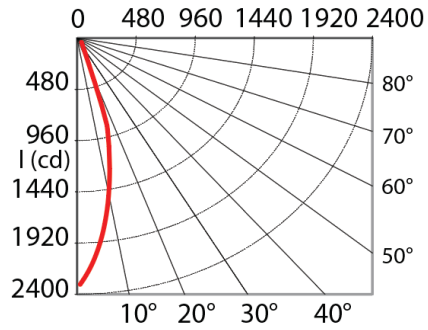


# LED INGROUND LIGHT 18W

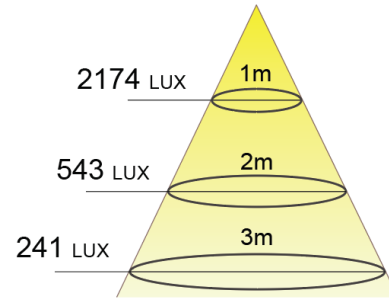
## SPECIFICATION

36° Beam Angle

PHOTOMETRIC CURVE

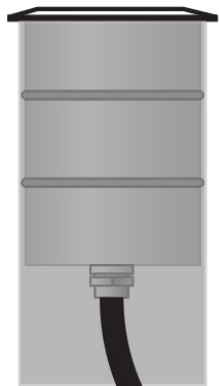


BEAM 36° AMPLITUDE DIAGRAM

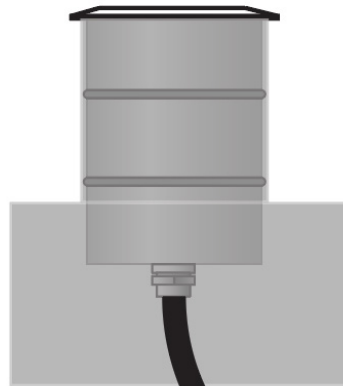


## INSTALLATION

Option 1



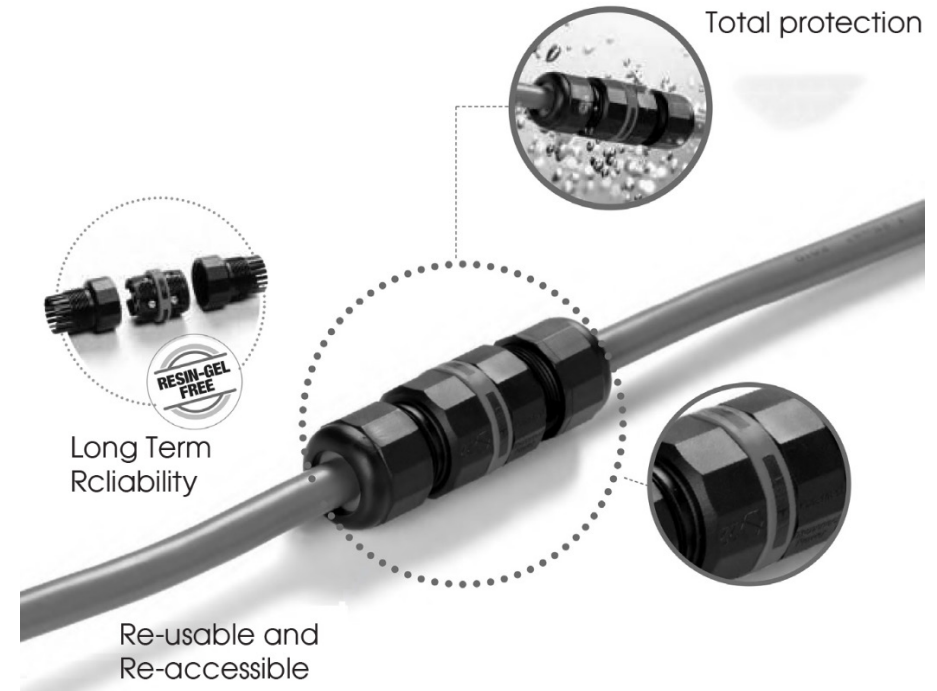
Option 2



Input Voltage

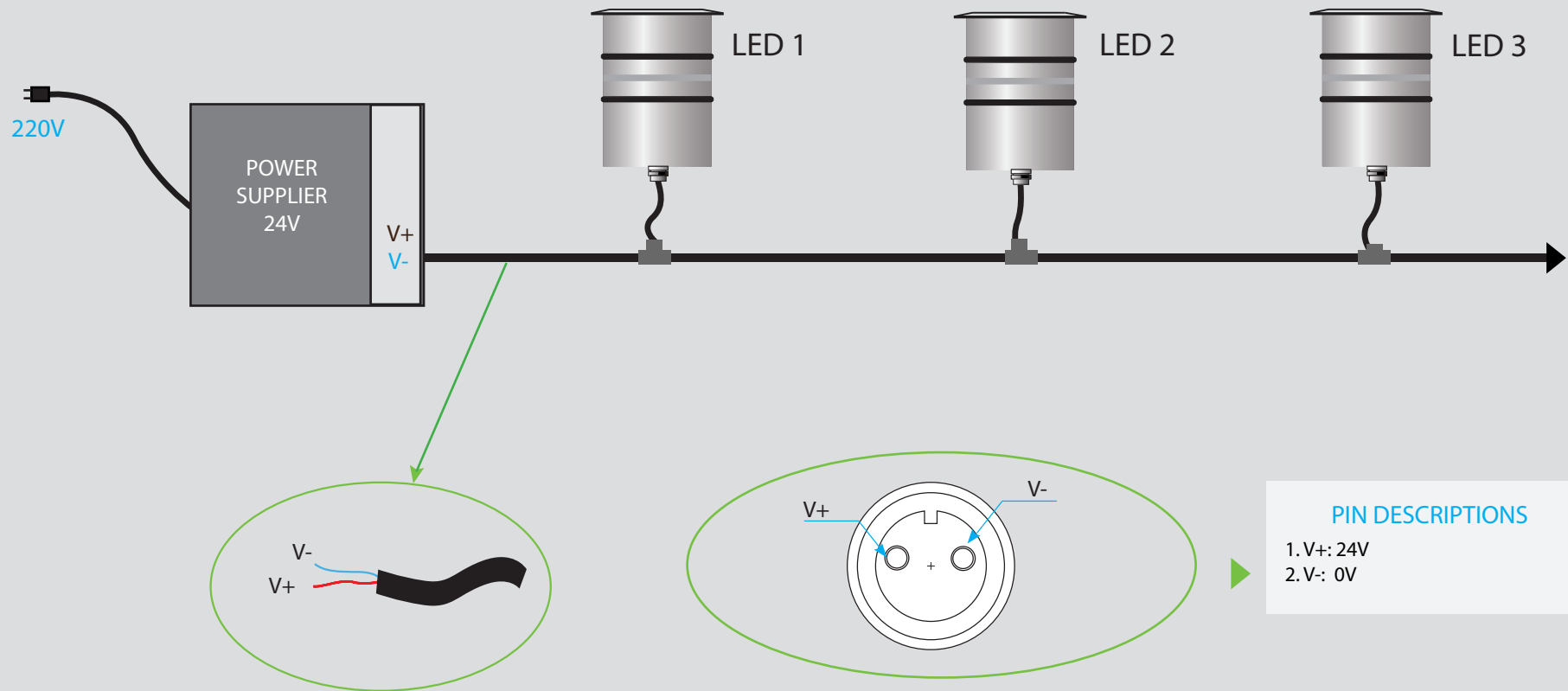
Input Voltage

## CONNECTOR IP68



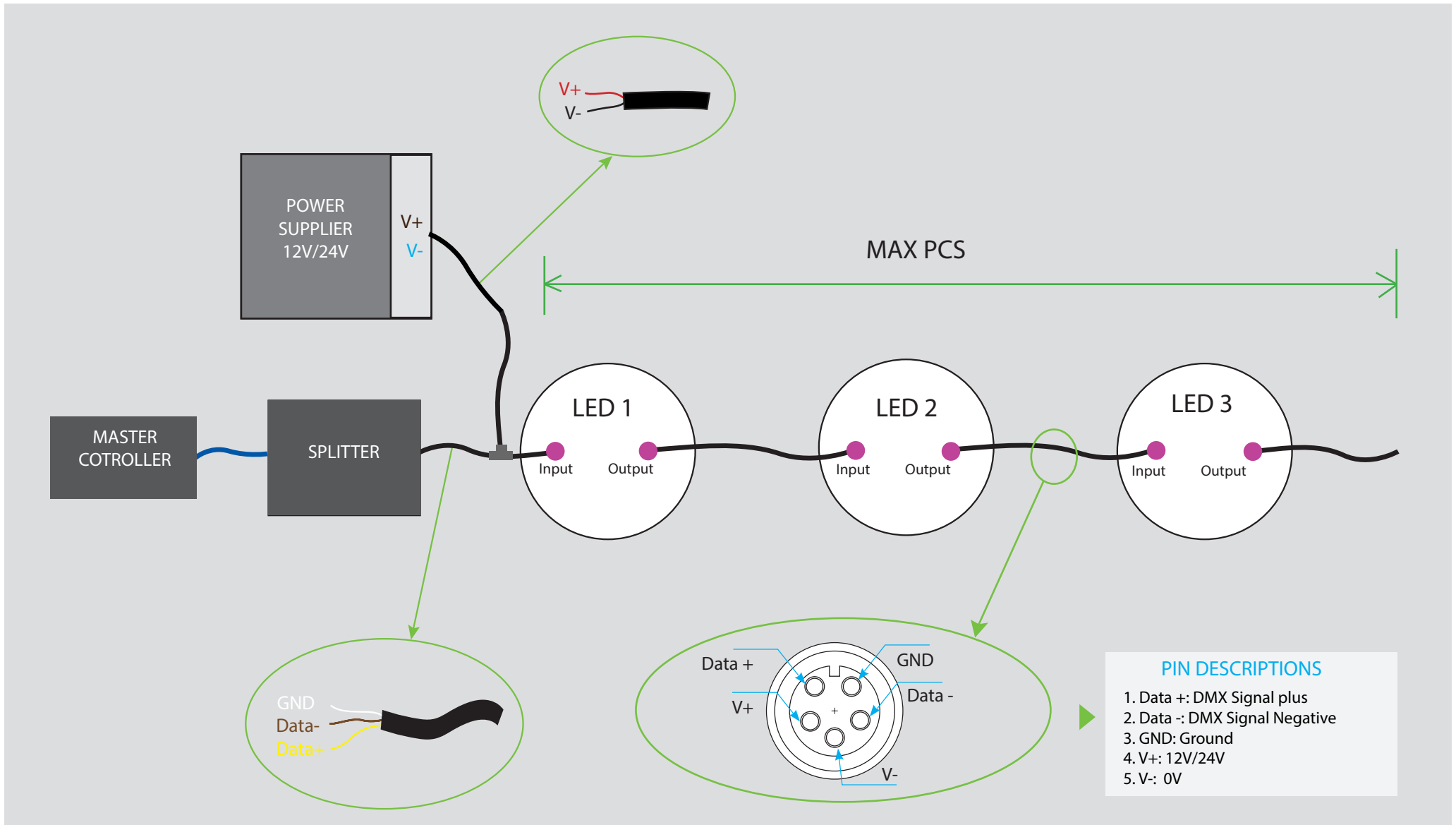
# LED INGROUND LIGHT 18W

## POWER SUPPLIES - INPUT VOTAGE



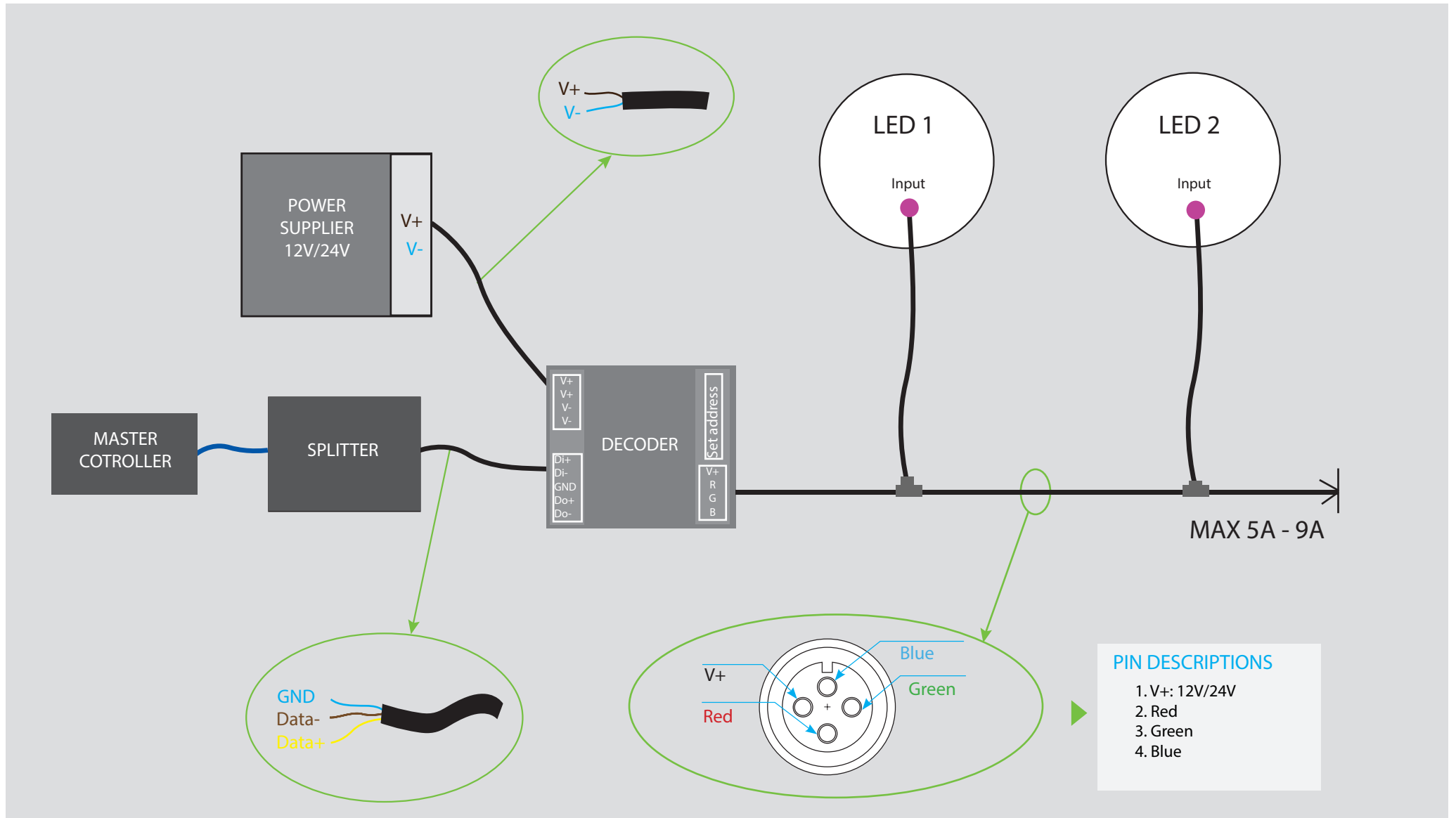
# LED INGROUND LIGHT 18W

## DIAGRAM CONNECTOR - DMX PROTOCOL - 5 CORE

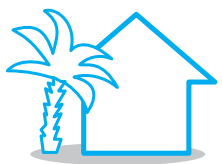


# LED INGROUND LIGHT 18W

## DIAGRAM CONNECTOR - DMX PROTOCOL - 4 CORE & DECODER



# LED INGROUND LIGHT 18W - Applications



OUTDOOR



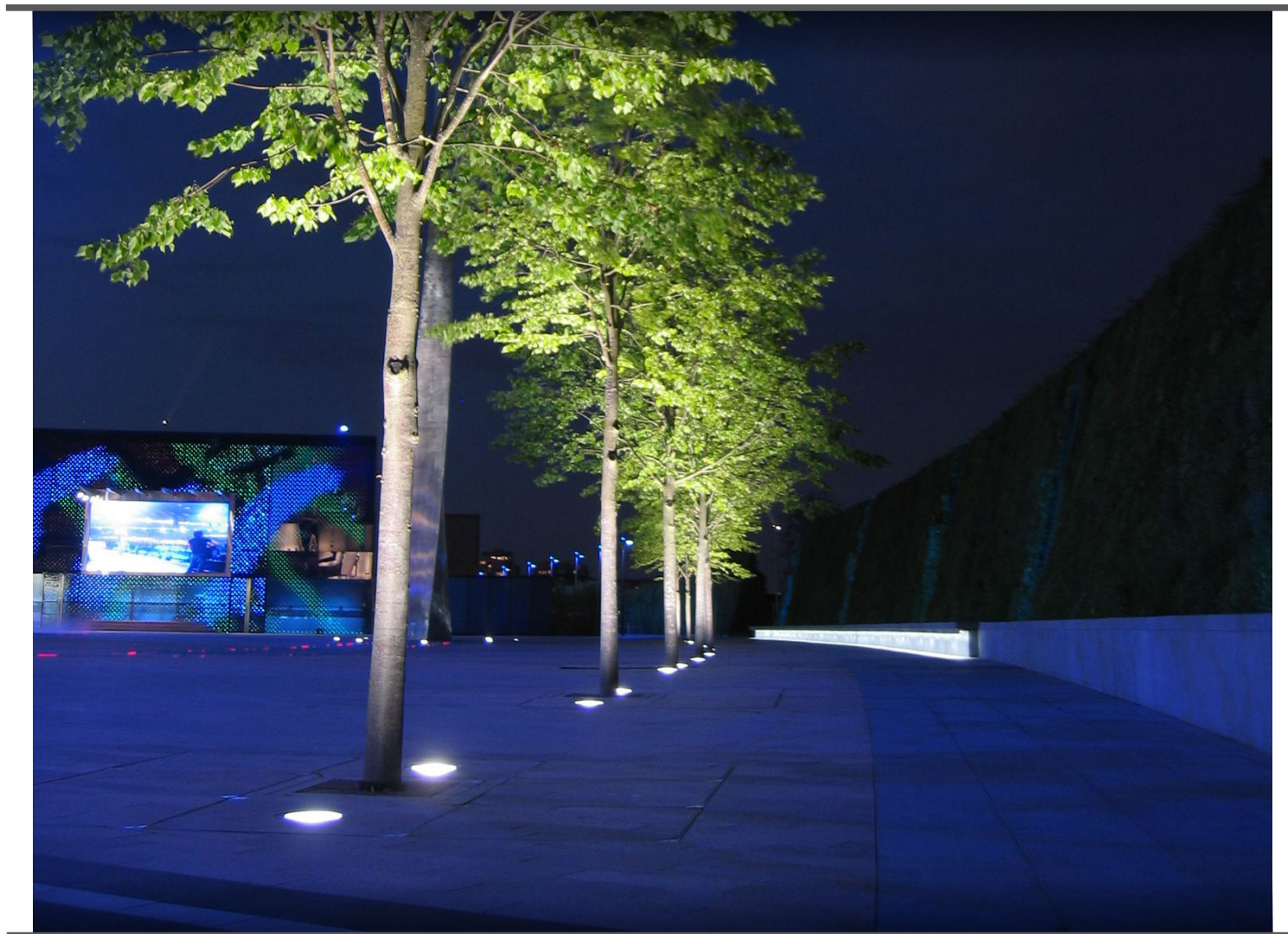
LANDSCAPE



HOTEL/RESTAURANT



FACADE BUILDING



## LED INGROUND LIGHT 18W - Applications





THANKS FOR YOUR  
ATTENTION