

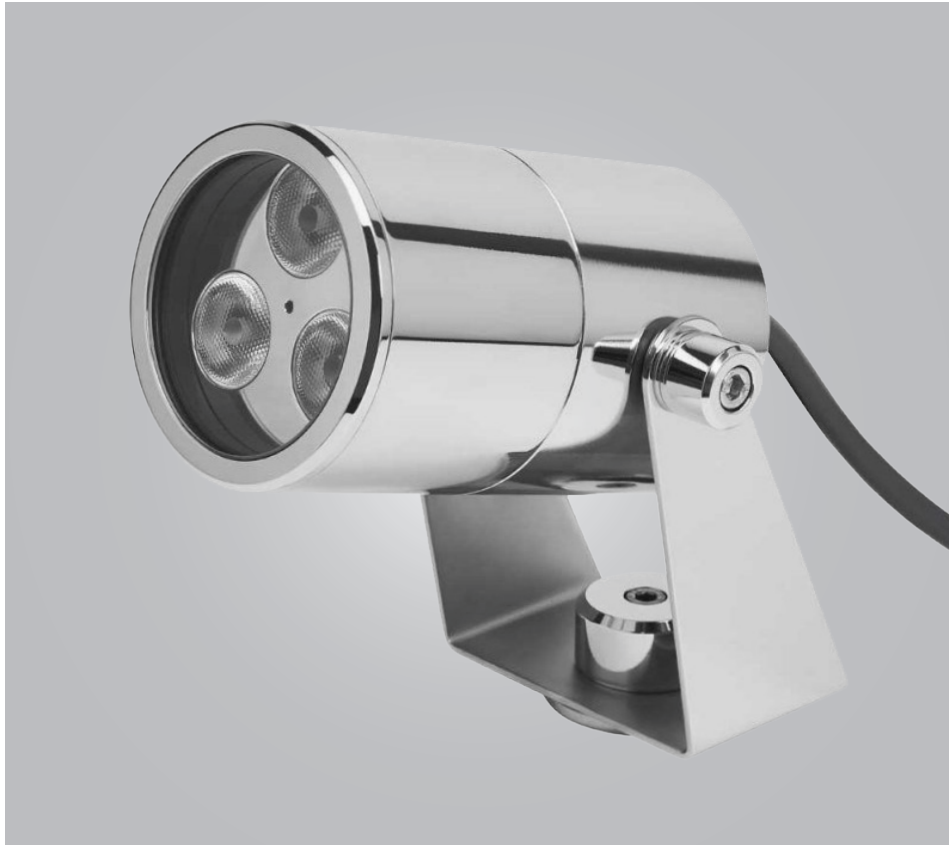


LED UNDER WATER LIGHT 20W - SERIES B
PRODUCT OUTDOOR



LED UNDER WATER LIGHT 20W

SPECCIFICATION



SPECCIFICATION

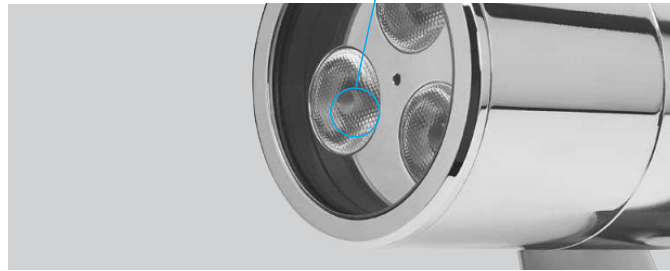
- Order Code: UB020, UB020RGBW
- Input Voltage: 24VDC
- Dimension: Ø84xL155xH145 mm
- Chip LED: CREE
- Power consumption: 20W
- Luminous Flux: 1800lm at 3000K, 20W, CRI>90, 36°
- Material: Stainless steel
- Efficiency: 90%
- Environment temperature: from -30° to 60°C
- Color: 3000K, 4000K, 5000K, RGBW
- CRI: >90
- Beam angle: 12° 15° 24° 36° 50°
- IP Rating: IP68
- Life time: 50.000 hour
- Control: ON/OFF
- Standards:
 - + RoHS; EMC protection
 - + IEC 62031LED
 - + IEC 60598 Luminaires



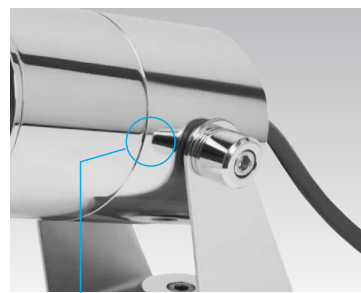
LED UNDER WATER LIGHT 20W

TECHNICAL DETAILS

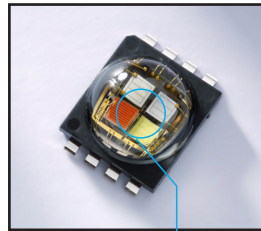
TECHNICAL DETAILS



Lens clear



Stainless Steel

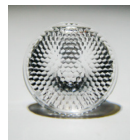


Chip LED CREE

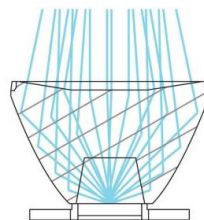
Connector IP68



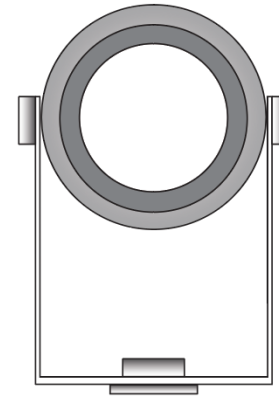
Lens Clear



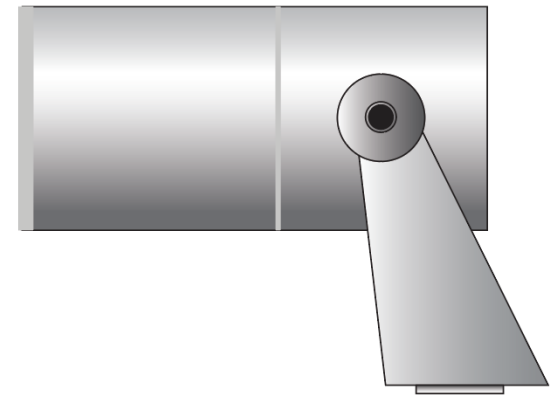
Legace Reflektor



DIMENSIONS

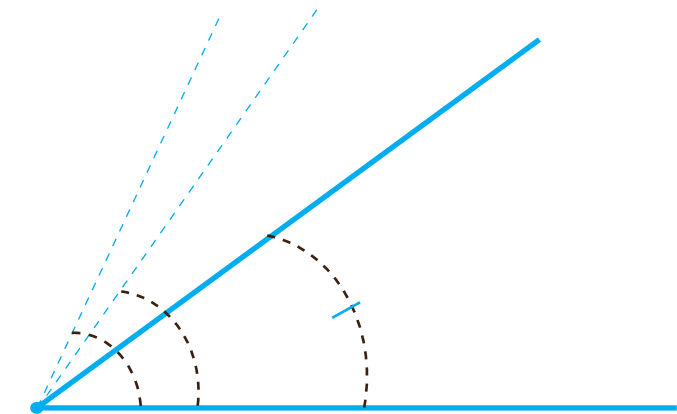


Ø84mm



155 mm

145 mm

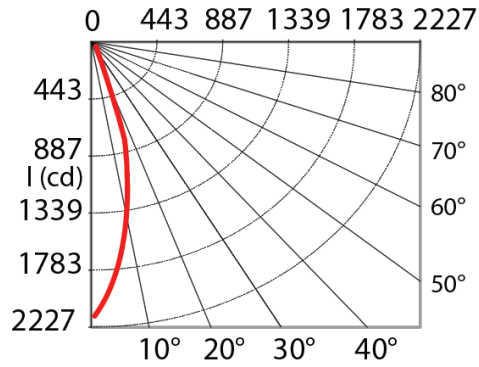


Beam Angle: 12° 15° 24° 36° 50°

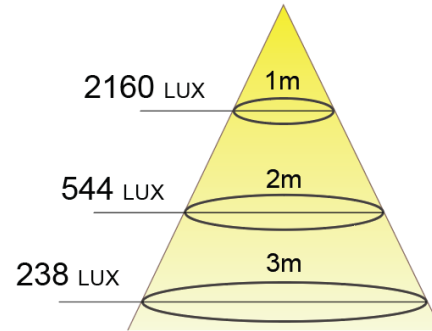
LED UNDER WATER LIGHT 20W

SPECIFICATION

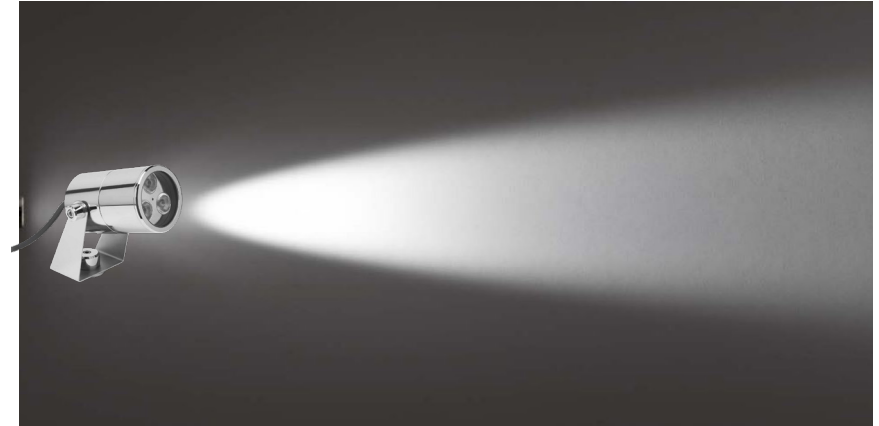
PHOTOMETRIC CURVE



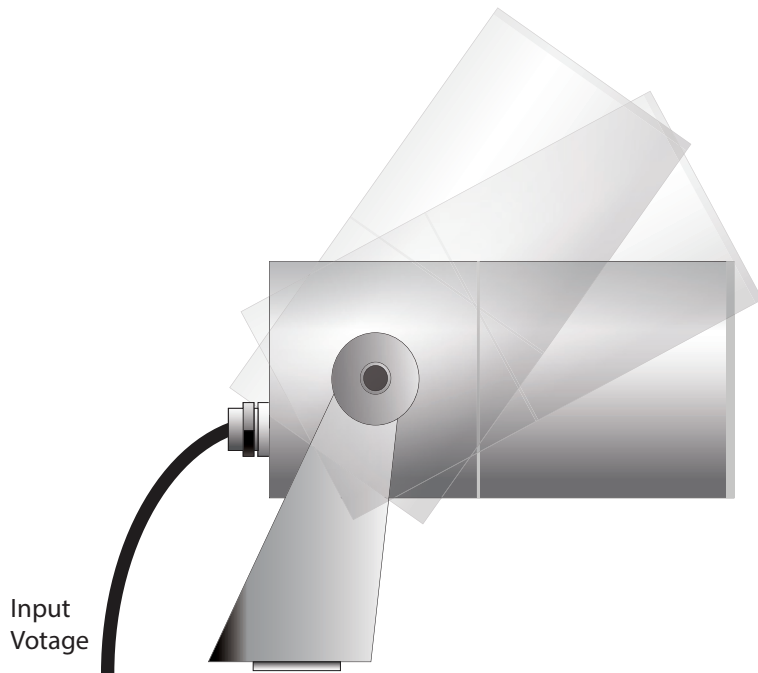
BEAM 36° AMPLITUDE DIAGRAM



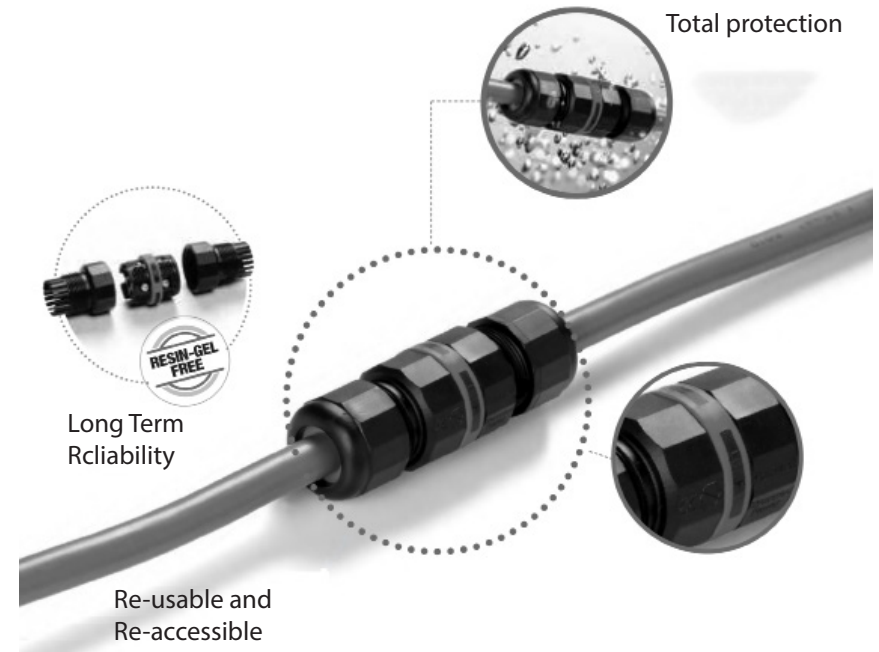
OPTICS



INSTALLATION

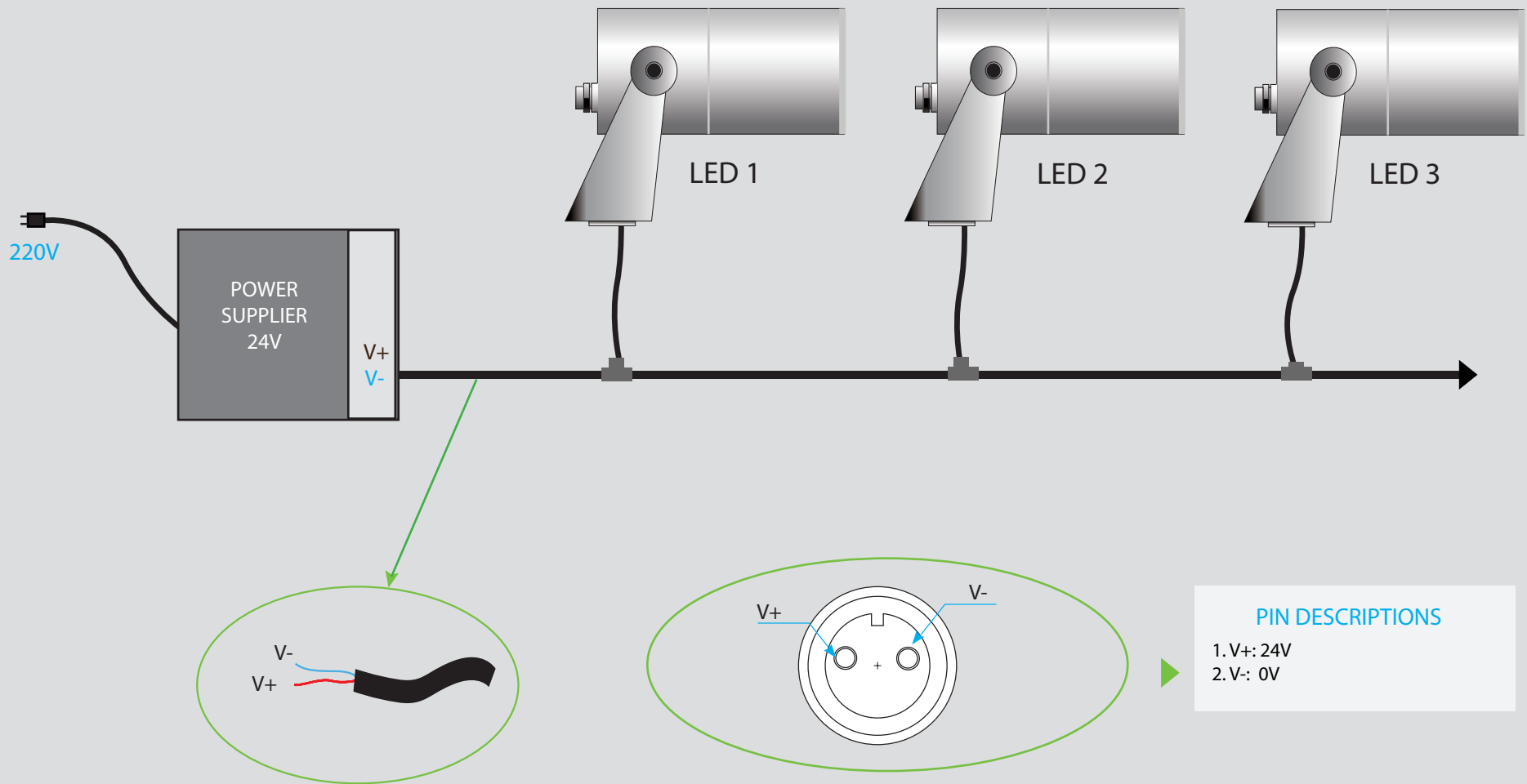


CONNECTOR IP68



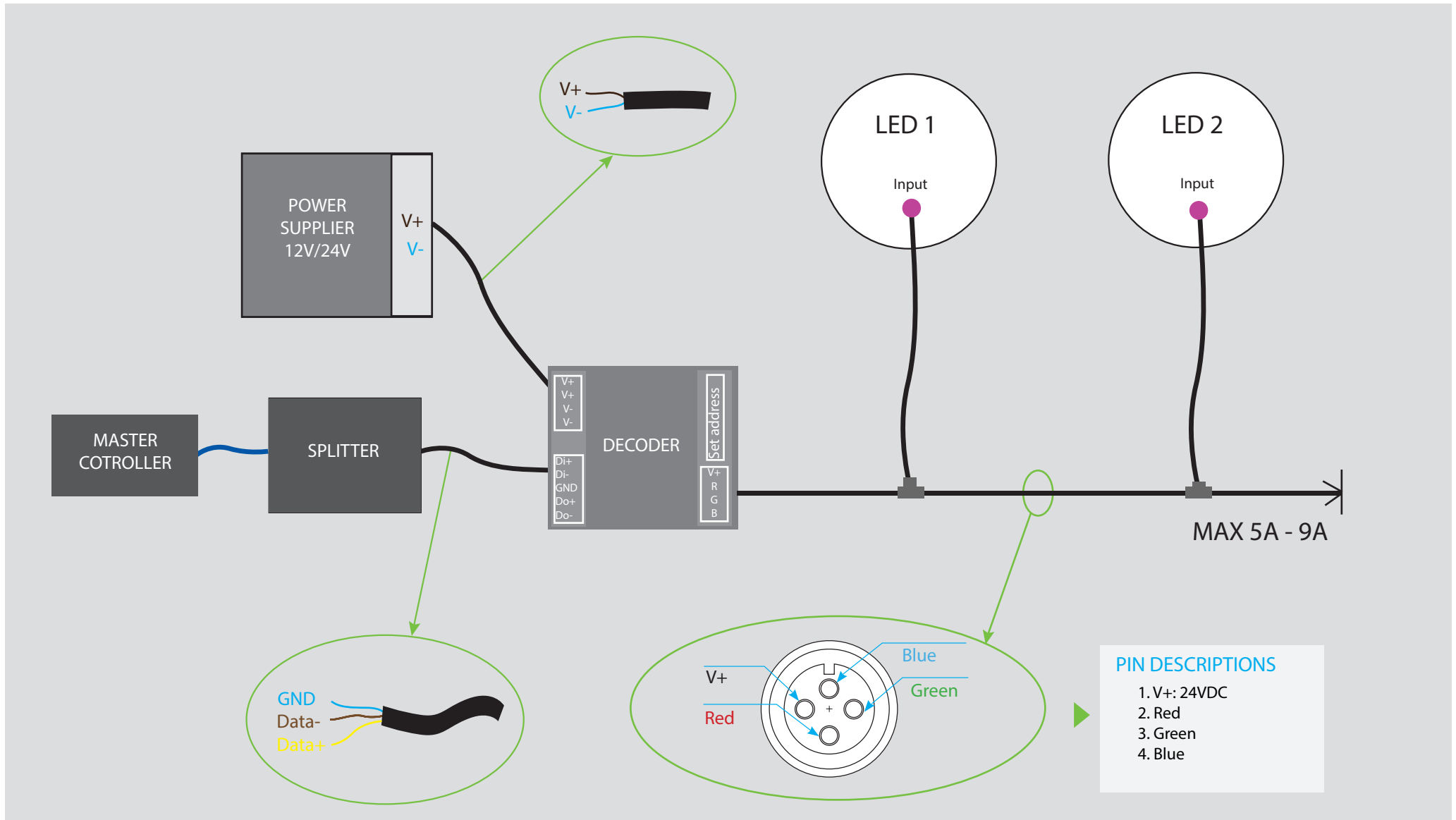
LED UNDER WATER LIGHT 20W

POWER SUPPLIES - INPUT VOTAGE



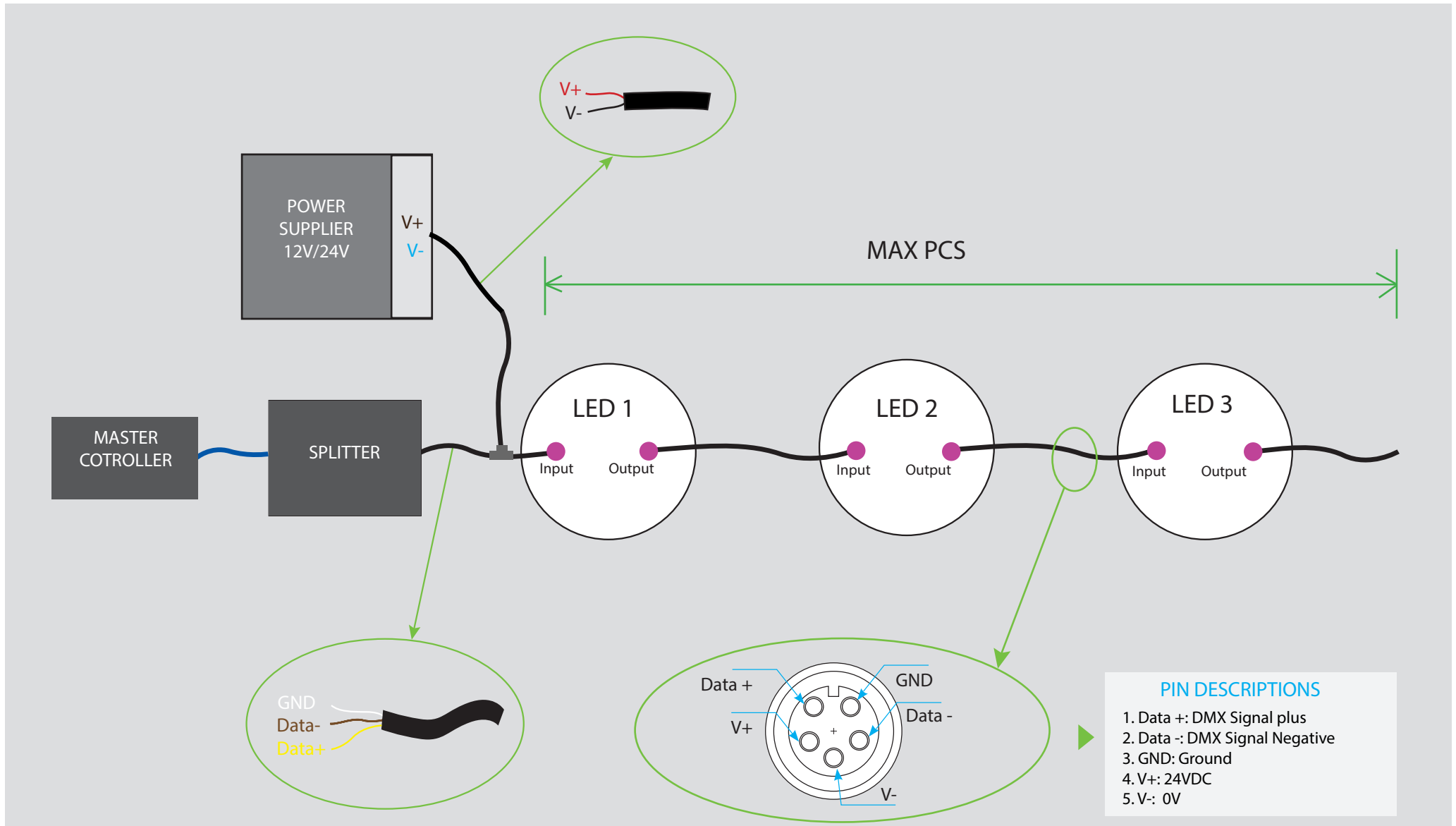
LED UNDER WATER LIGHT 20W

DIAGRAM CONNECTOR - DMX PROTOCOL - 4 CORE & DECODER

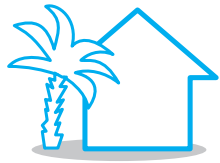


LED UNDER WATER LIGHT 20W

DIAGRAM CONNECTOR - DMX PROTOCOL - 5 CORE



LED UNDER WATER LIGHT 20W - Applications



OUTDOOR



LANDSCAPE



HOTEL/RESTAURANT



LED UNDER WATER LIGHT 20W - Applications





THANKS FOR YOUR
ATTENTION