

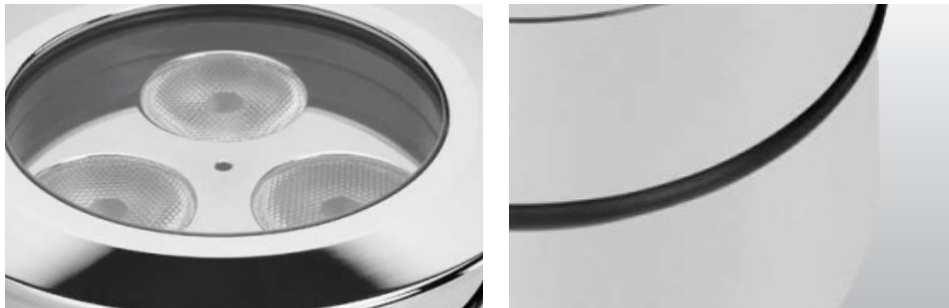
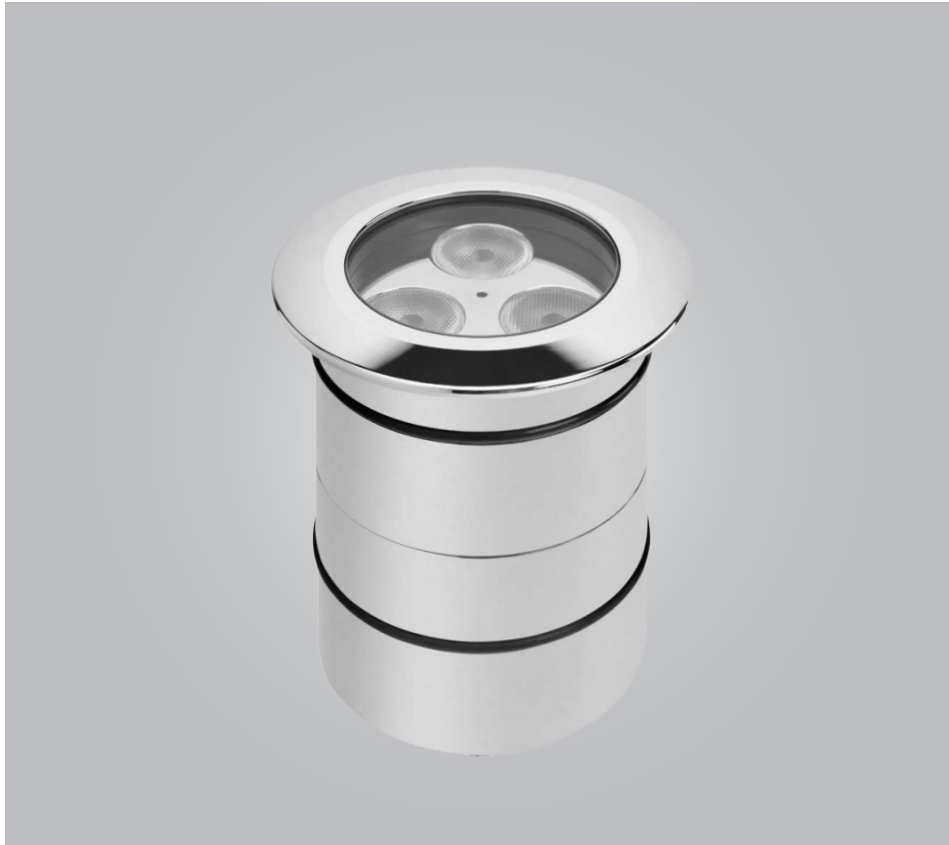


LED UNDER WATER LIGHT 20W - SERIES A
PRODUCT OUTDOOR



LED UNDER WATER LIGHT 20W

SPECCIFICATION



SPECCIFICATION

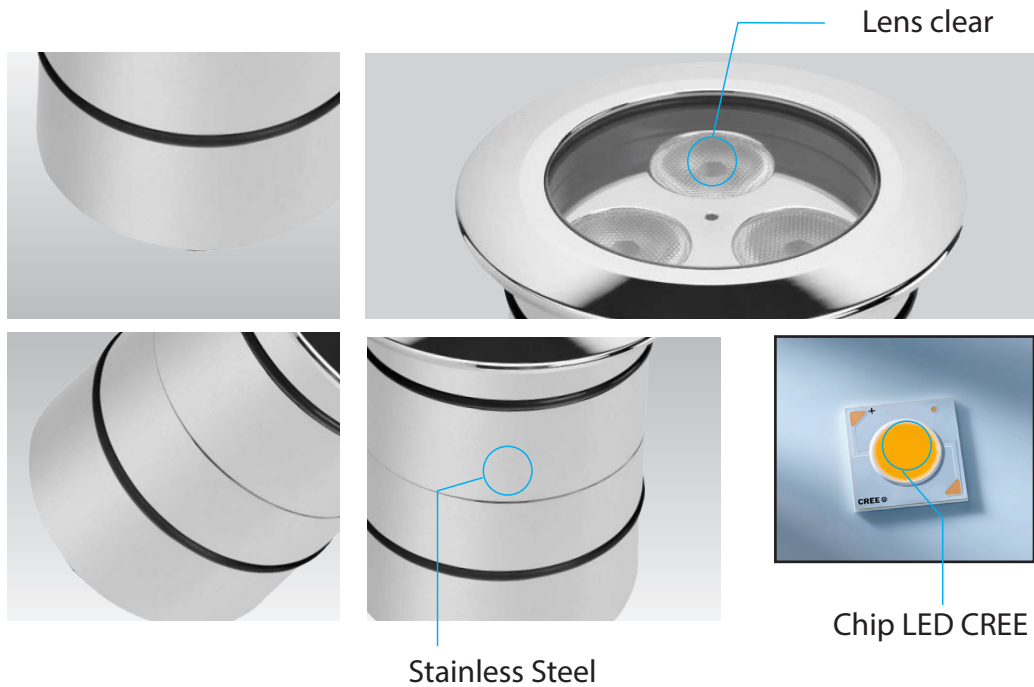
- Order Code: UA020, UA020RGBW
- Input Voltage: 24VDC
- Dimension: Ø90xH125 Cutout Ø74 mm
- Chip LED: CREE
- Power consumption: 20W
- Luminous Flux: 1800lm at 3000K, 20W, CRI>90, 36°
- Material: Stainless steel
- Efficiency: 90%
- Environment temperature: from -30° to 60°C
- Color: 3000K, 4000K, 5000K, RGBW
- CRI: >90
- Beam angle: 12° 15° 24° 36° 50°
- IP Rating: IP68
- Life time: 50.000 hour
- Control: ON/OFF
- Standards:
 - + RoHS; EMC protection
 - + IEC 62031LED
 - + IEC 60598 Luminaires



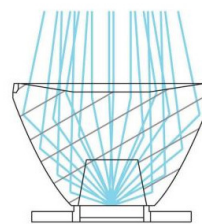
LED UNDER WATER LIGHT 20W

TECHNICAL DETAILS

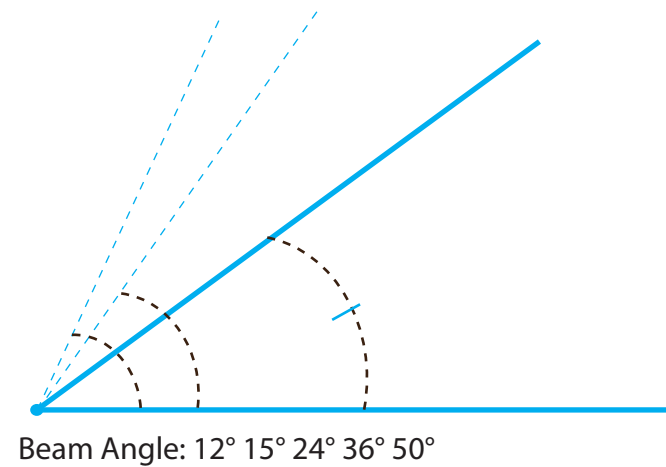
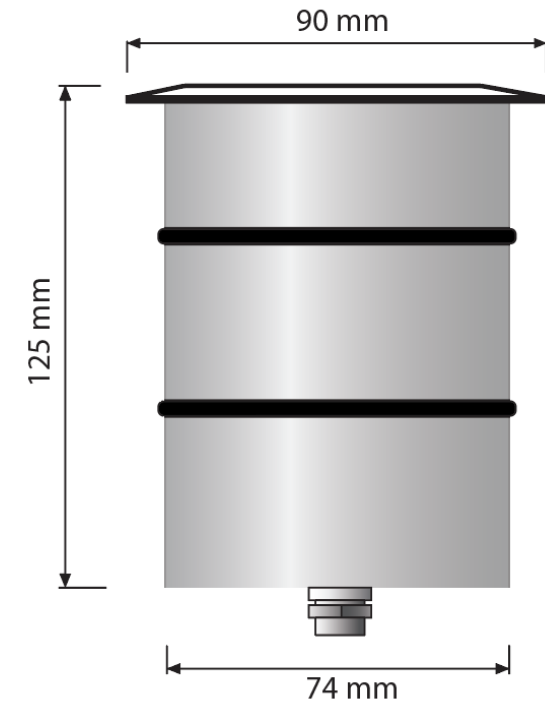
TECHNICAL DETAILS



Legace Reflektor



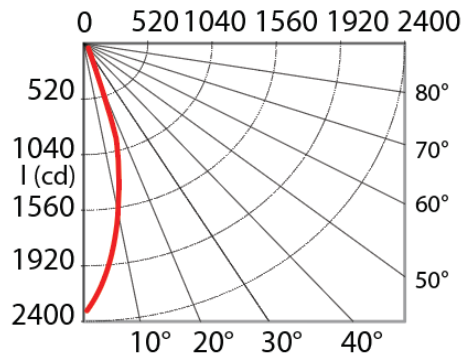
DIMENSIONS



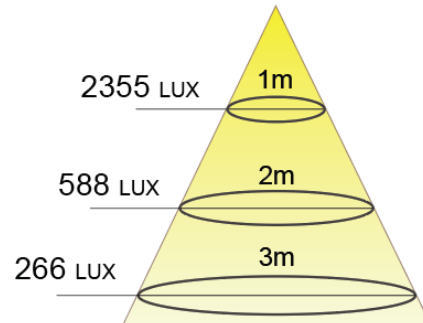
LED UNDER WATER LIGHT 20W

SPECIFICATION

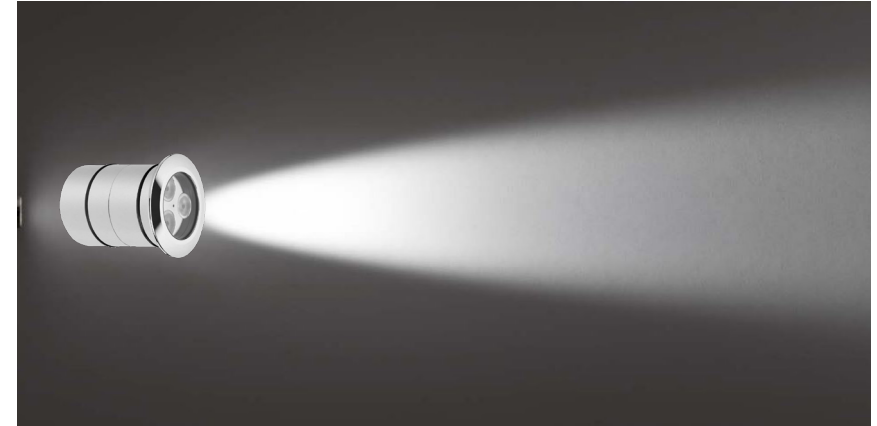
PHOTOMETRIC CURVE



BEAM 36° AMPLITUDE DIAGRAM



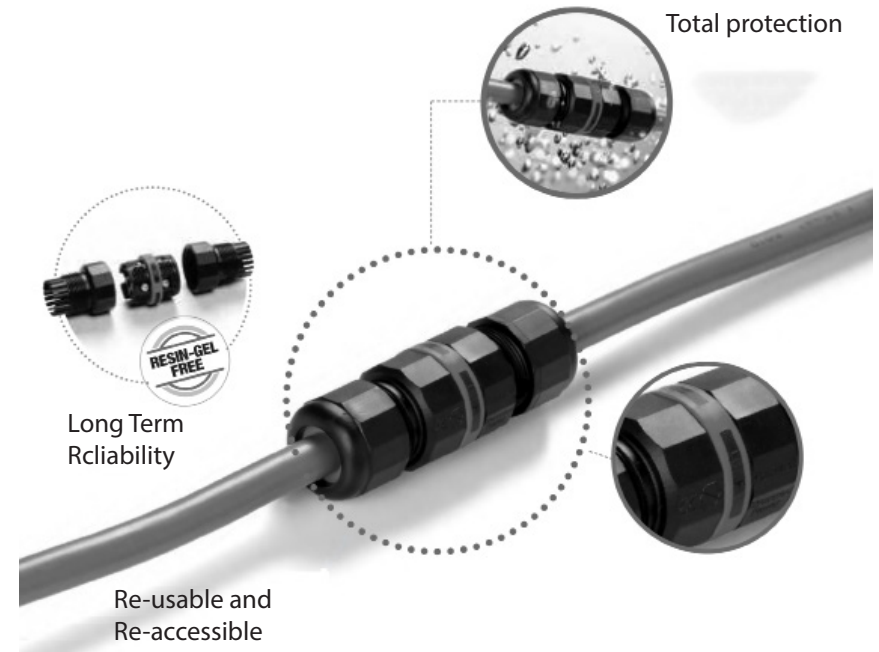
OPTICS



INSTALLATION

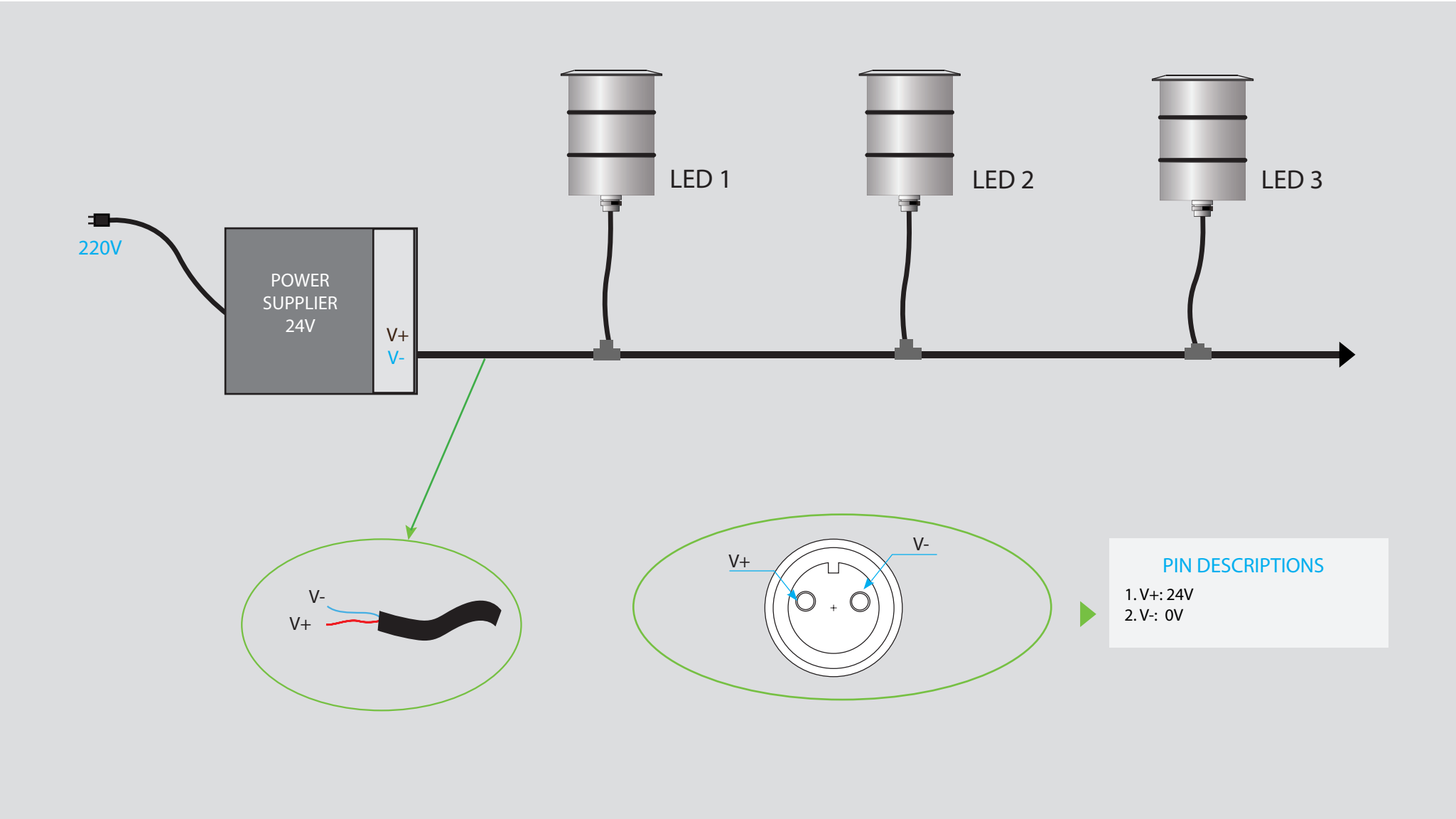


CONNECTOR IP68



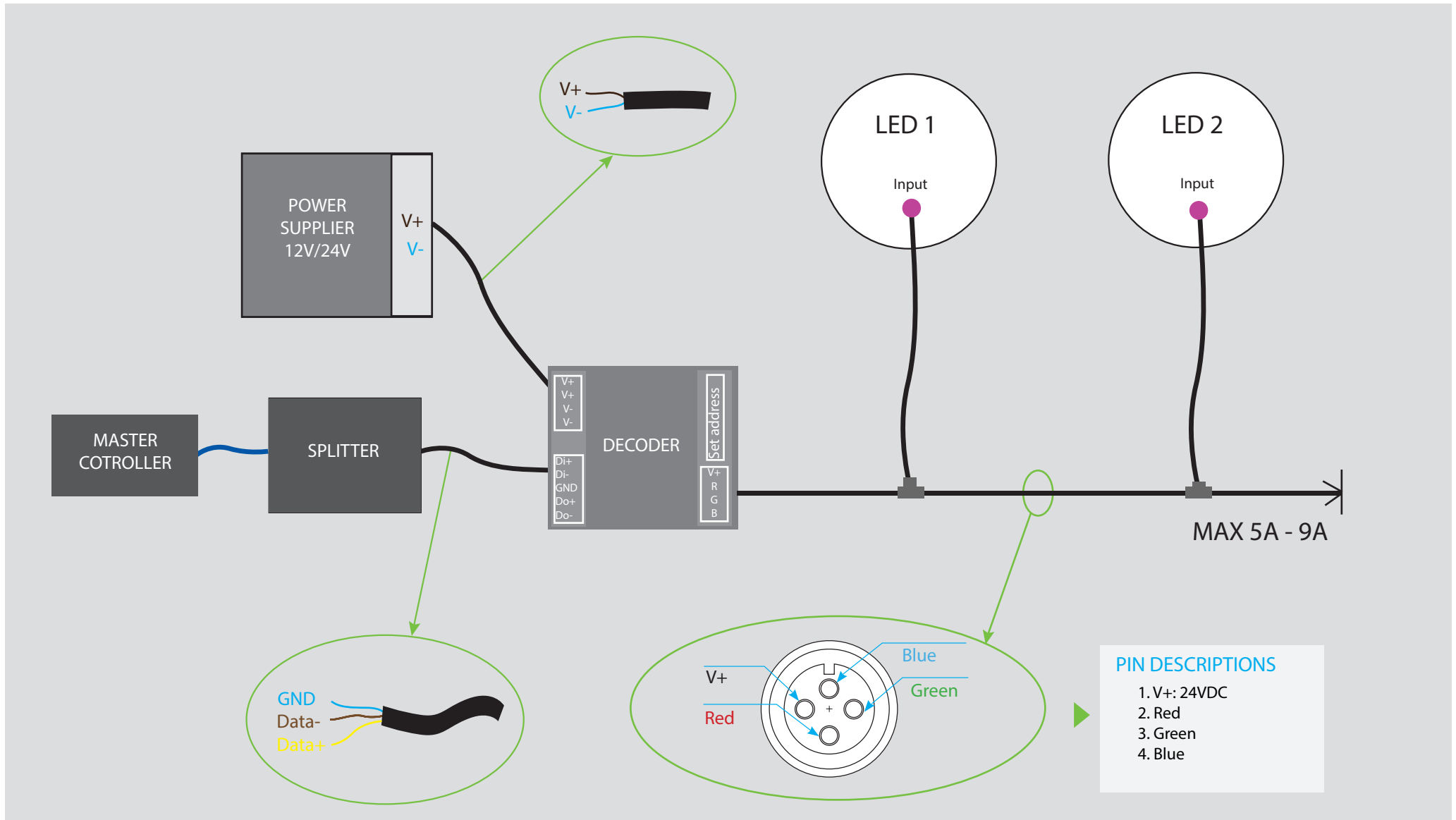
LED UNDER WATER LIGHT 20W

POWER SUPPLIES - INPUT VOTAGE



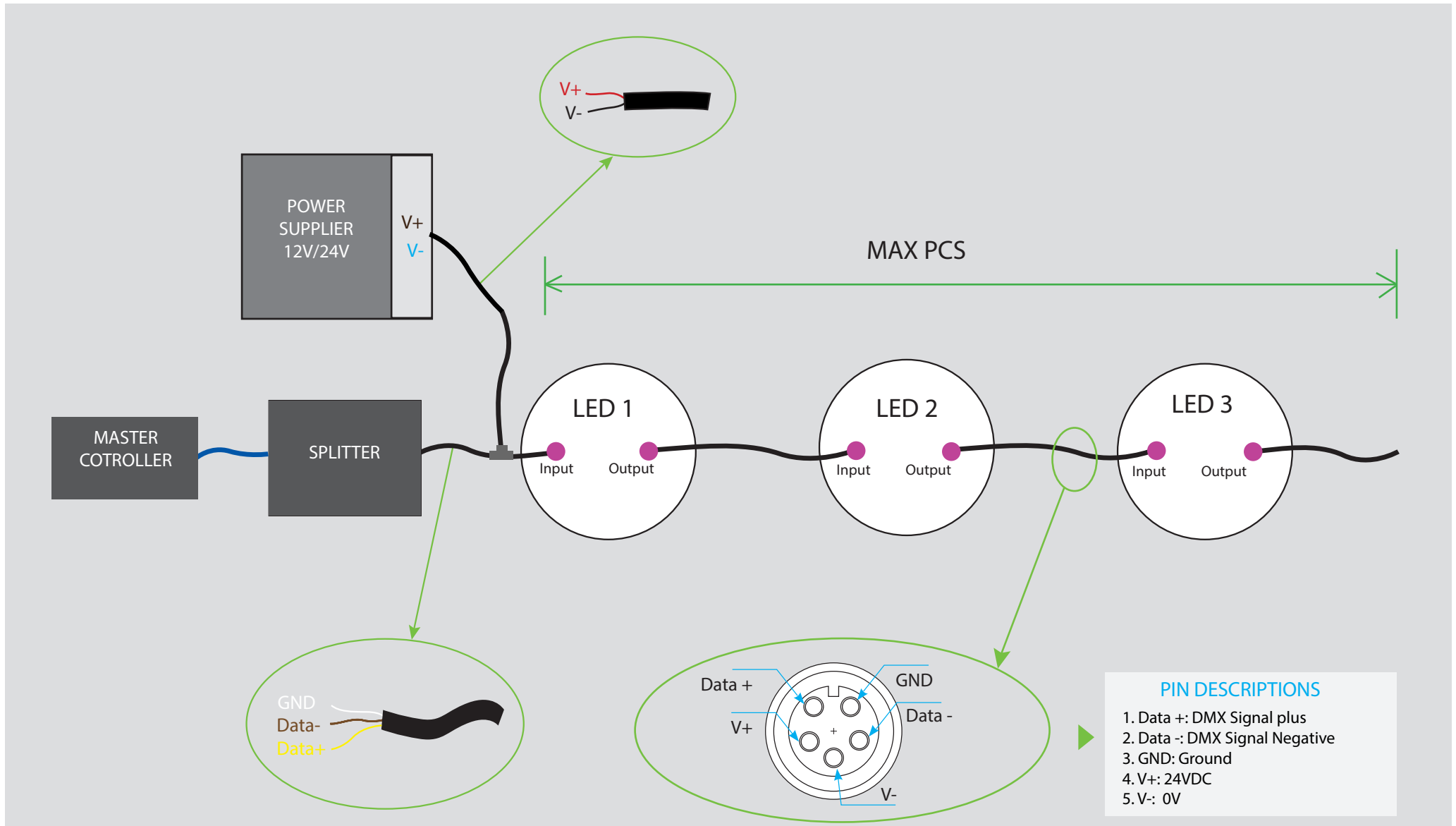
LED UNDER WATER LIGHT 20W

DIAGRAM CONNECTOR - DMX PROTOCOL - 4 CORE & DECODER



LED UNDER WATER LIGHT 20W

DIAGRAM CONNECTOR - DMX PROTOCOL - 5 CORE



LED UNDER WATER LIGHT 20W - Applications



OUTDOOR



LANDSCAPE



HOTEL/RESTAURANT



LED UNDER WATER LIGHT 20W - Applications





THANKS FOR YOUR
ATTENTION