

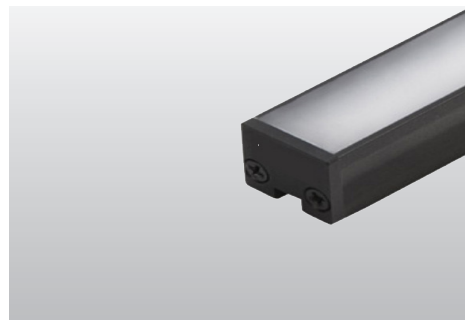
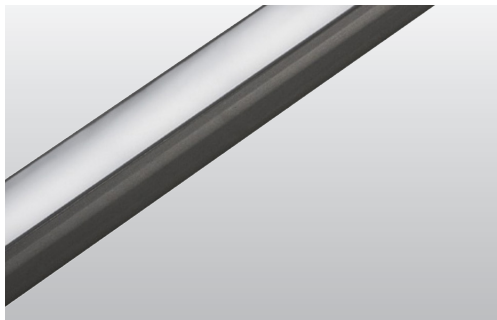
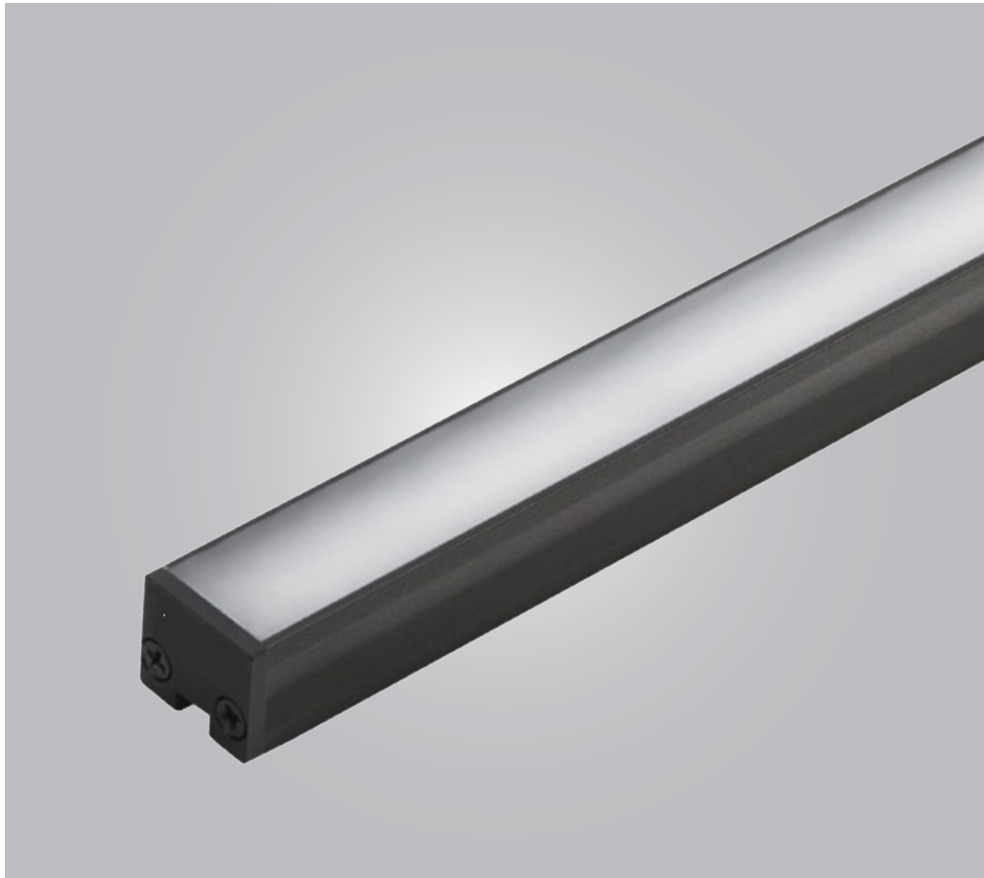


LED LINEAR LIGHT 10W - SERIES A
PRODUCT OUTDOOR



LED LINEAR LIGHT 10W

SPECIFICATION



SPECIFICATION

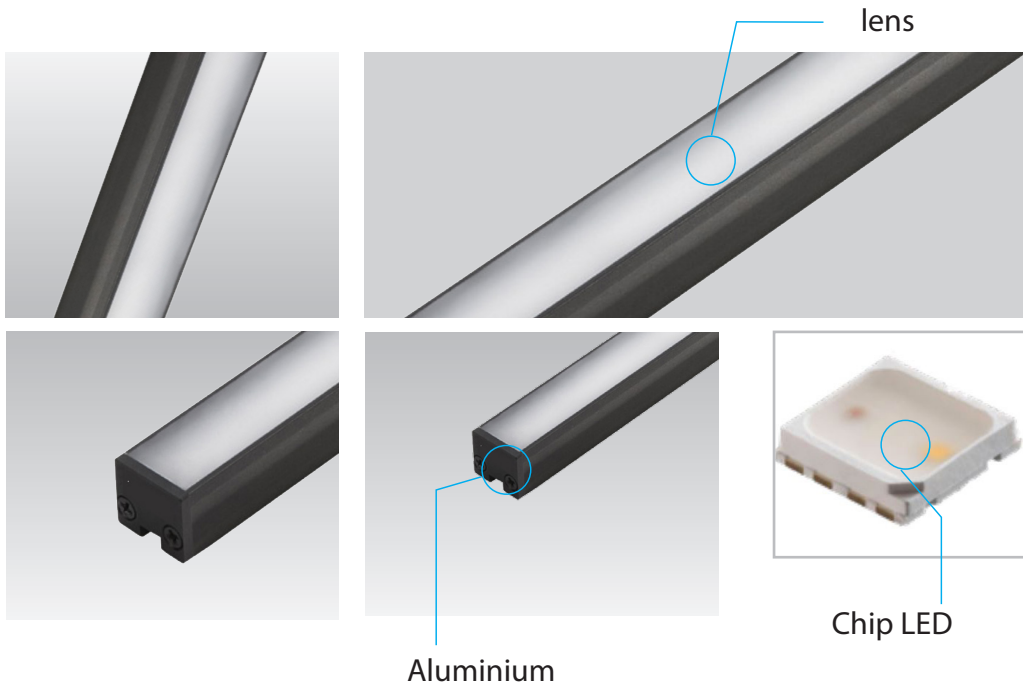
- Order Code: LA010
- Input Voltage: 24Vdc
- Dimension: L500xW25xH28mm
- Chip LED: CREE
- Power consumption: 10W
- Material: Aluminium
- Efficiency: 90%
- Environment temperature: from -30° to 60°C
- Color[CRI]: 3000K, 4000k, 5000k, RGBW
- Beam angle: 120°
- IP Rating: IP67
- Life time: 50.000 hour
- Control: ON/OFF, Dimmable, DMX512
- Standards:
 - + RoHS; EMC protection
 - + IEC 62031LED
 - + IEC 60598 Luminaires



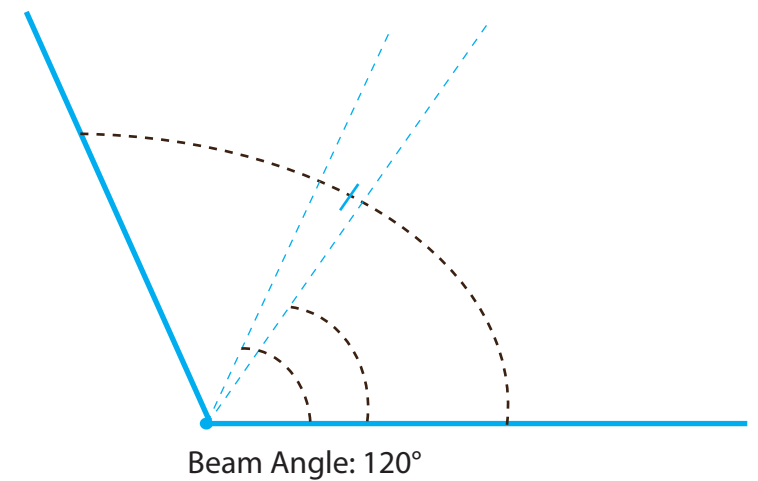
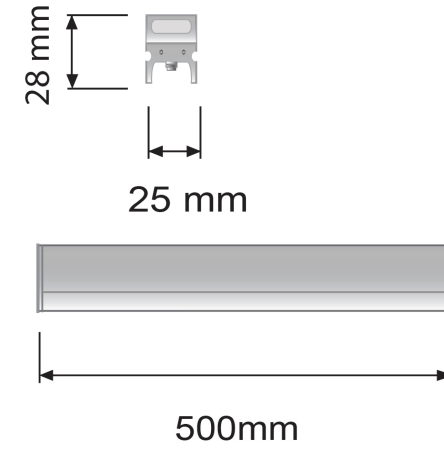
LED LINEAR LIGHT 10W

TECHNICAL DETAILS

TECHNICAL DETAILS

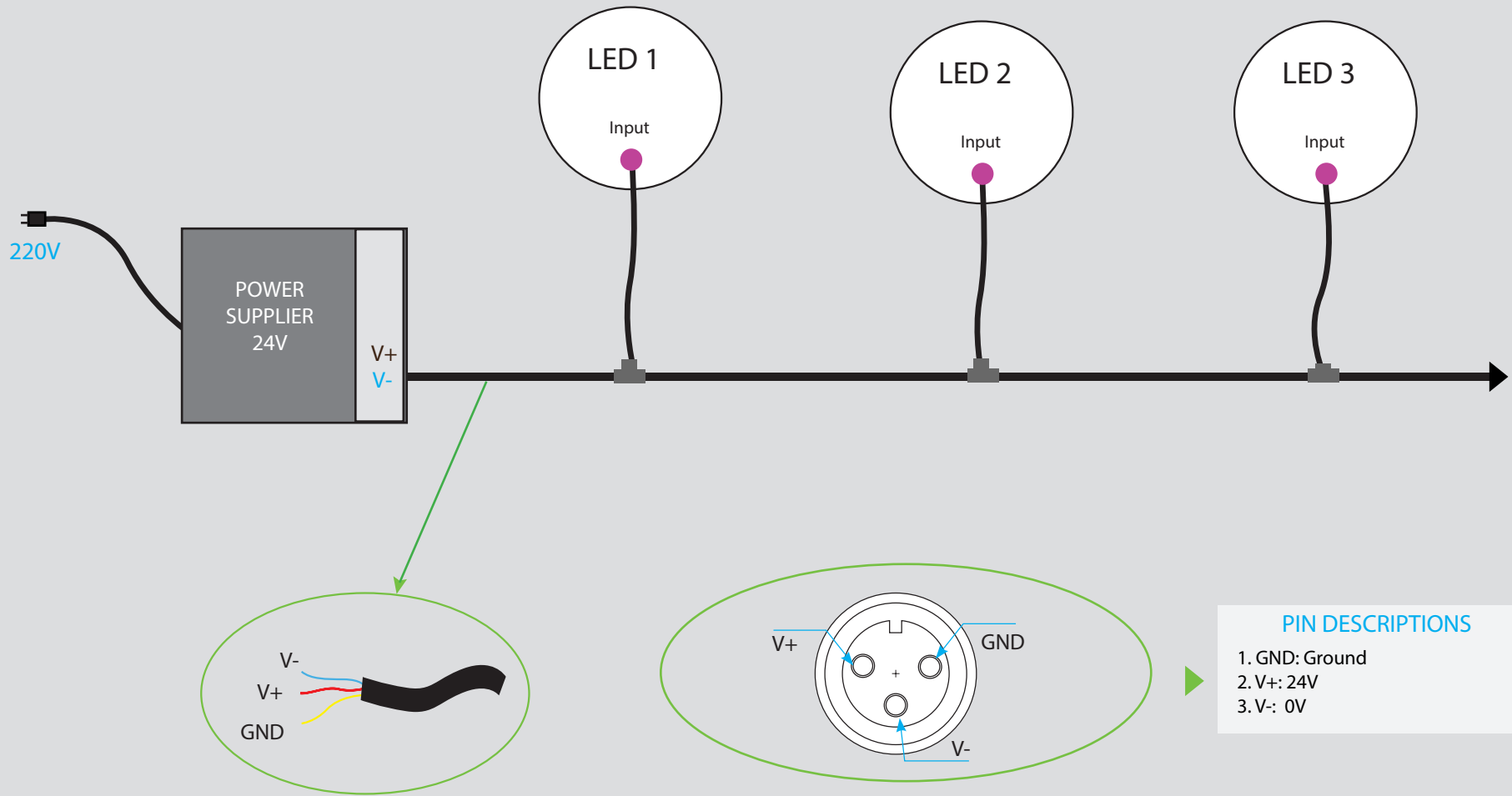


DIMENSIONS



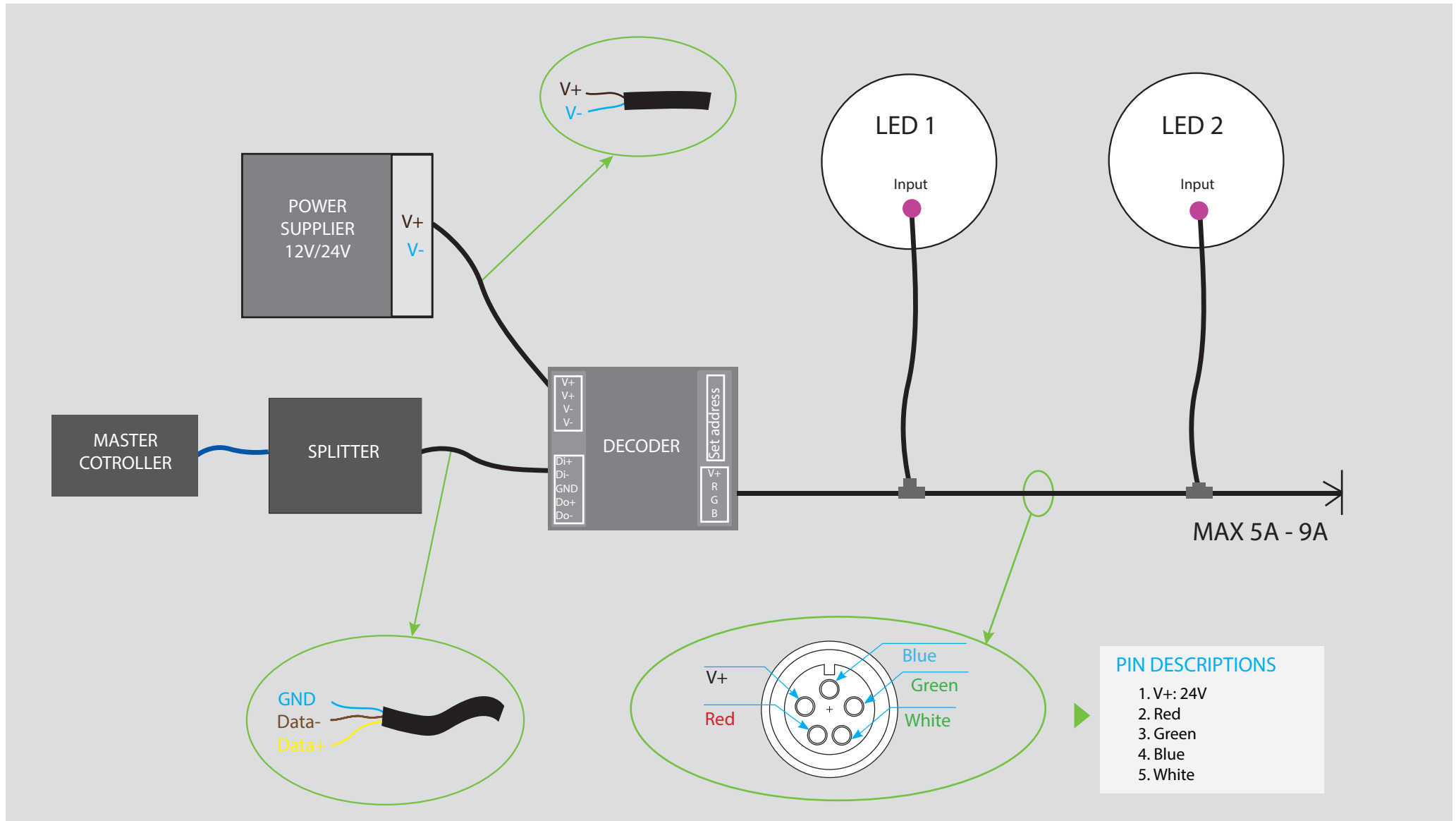
LED LINEAR LIGHT 10W

POWER SUPPLIES - INPUT VOTAGE



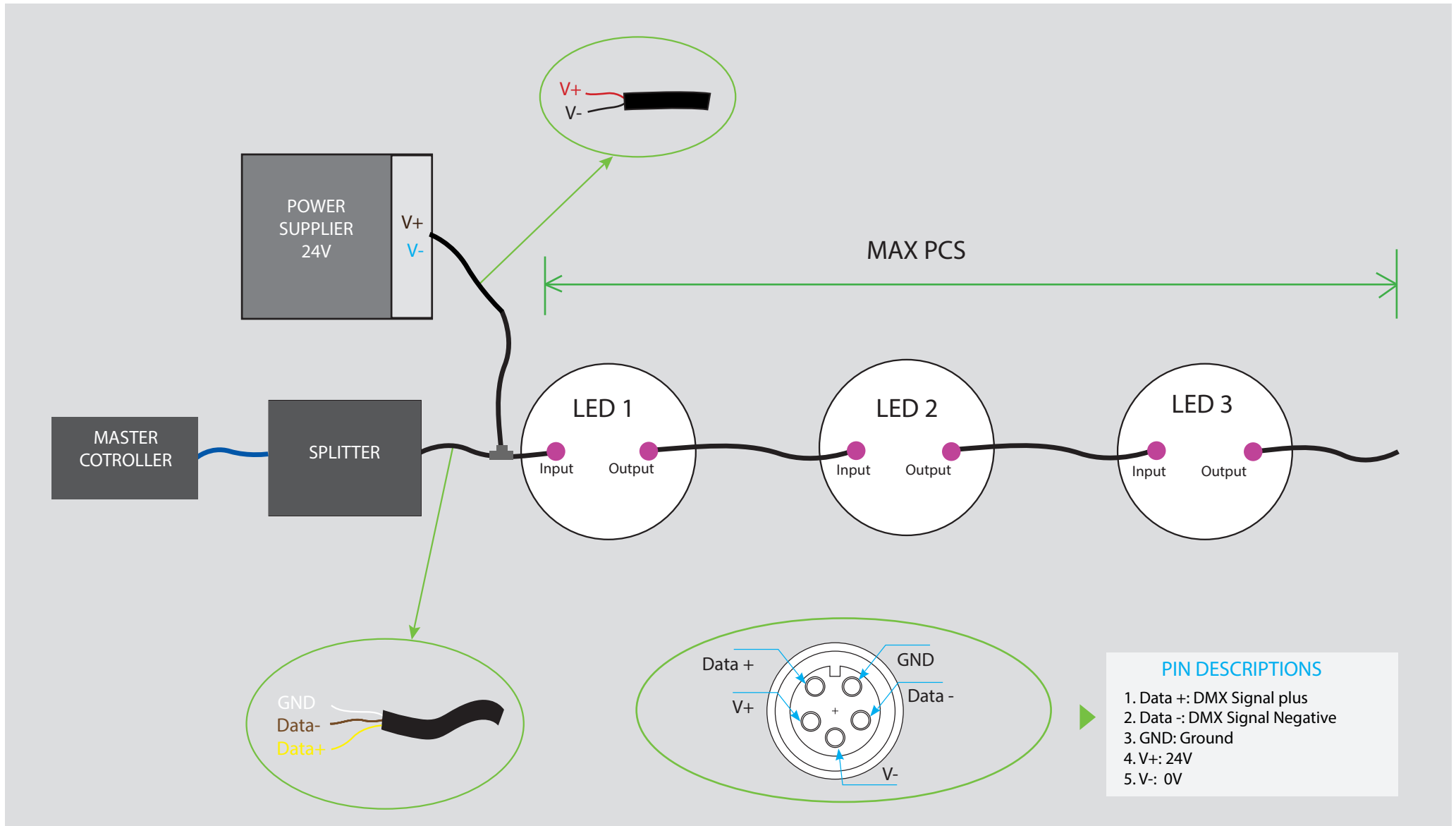
LED LINEAR LIGHT 10W

DIAGRAM CONNECTOR - DMX PROTOCOL - 4 CORE & DECODER

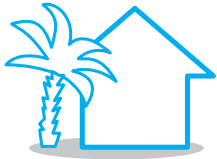


LED LINEAR LIGHT 10W

DIAGRAM CONNECTOR - DMX PROTOCOL - 5 CORE



LED LINEAR LIGHT 10W - Applications



OUTDOOR



LANDSCAPE



HOTEL/RESTAURANT



FACADE BUILDING



LED LINEAR LIGHT 10W - Applications





THANKS FOR YOUR
ATTENTION