



LED UNDER WATER LIGHT 7W - SERIES B
PRODUCT OUTDOOR



LED UNDER WATER LIGHT 7W

SPECCIFICATION



SPECCIFICATION

- Order Code: UB007
- Input Voltage: 24VDC
- Dimension: Ø40xL70xH75 mm
- Chip LED: CREE
- Power consumption: 7W
- Luminous Flux: 630lm at 3000K, 7W, CRI>90, 36°
- Material: Stainless steel
- Efficiency: 90%
- Environment temperature: from -30° to 60°C
- Color: 3000K, 4000K, 5000K
- CRI: >90
- Beam angle: 12° 15° 24° 36° 50°
- IP Rating: IP68
- Life time: 50.000 hour
- Control: ON/OFF
- Standards:
 - + RoHS; EMC protection
 - + IEC 62031LED
 - + IEC 60598 Luminaires



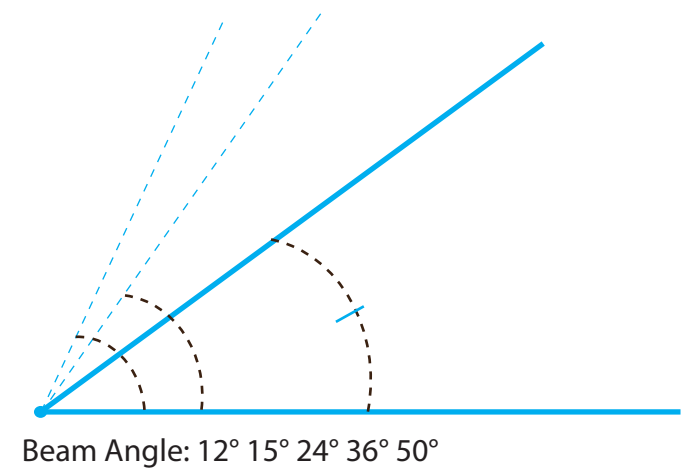
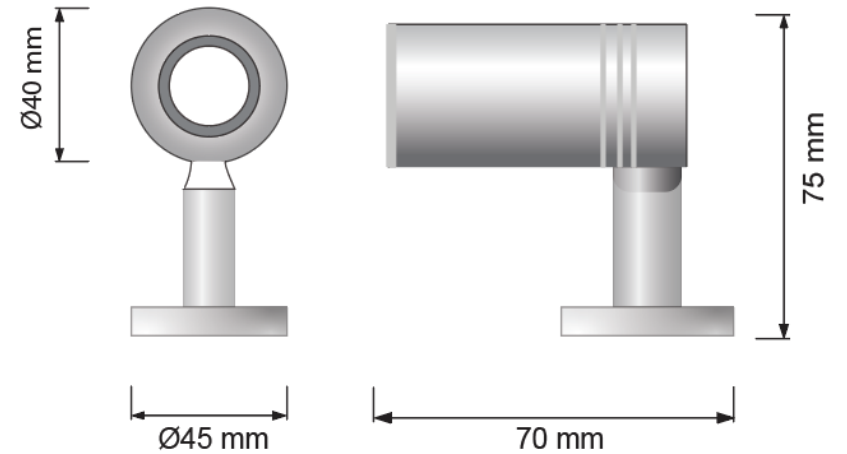
LED UNDER WATER LIGHT 7W

TECHNICAL DETAILS

TECHNICAL DETAILS



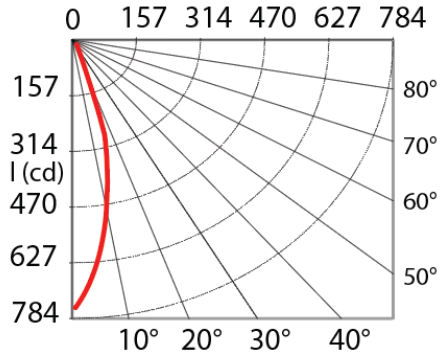
DIMENSIONS



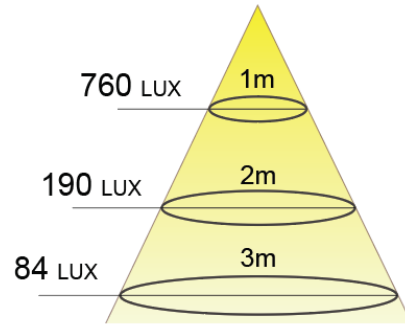
LED UNDER WATER LIGHT 7W

SPECIFICATION

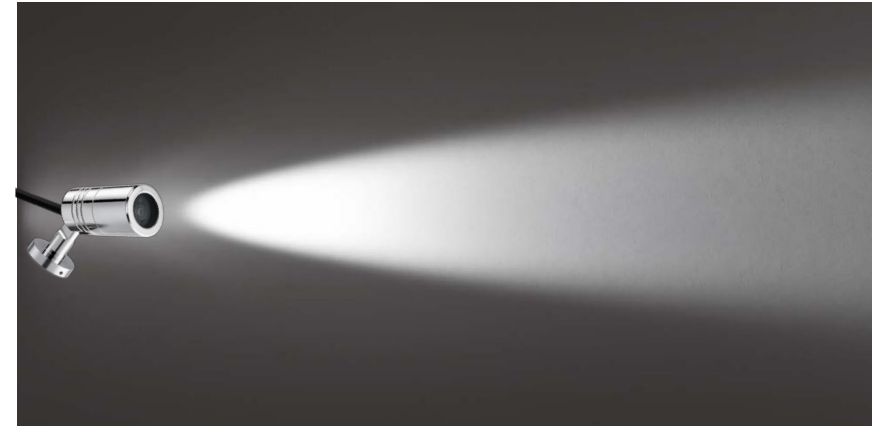
PHOTOMETRIC CURVE



BEAM 36° AMPLITUDE DIAGRAM



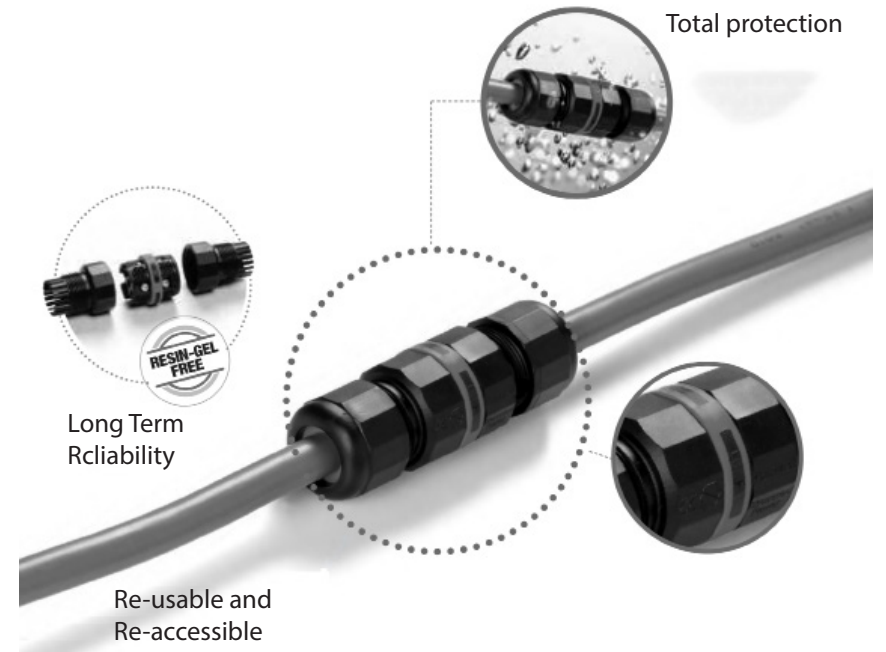
OPTICS



INSTALLATION

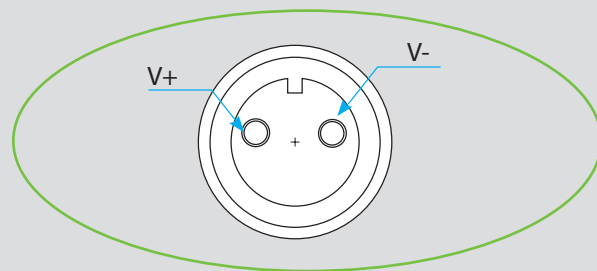
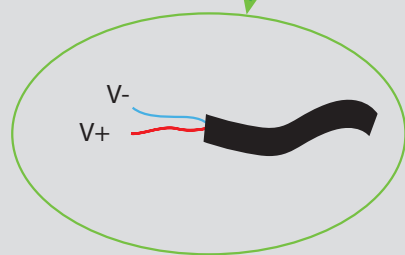
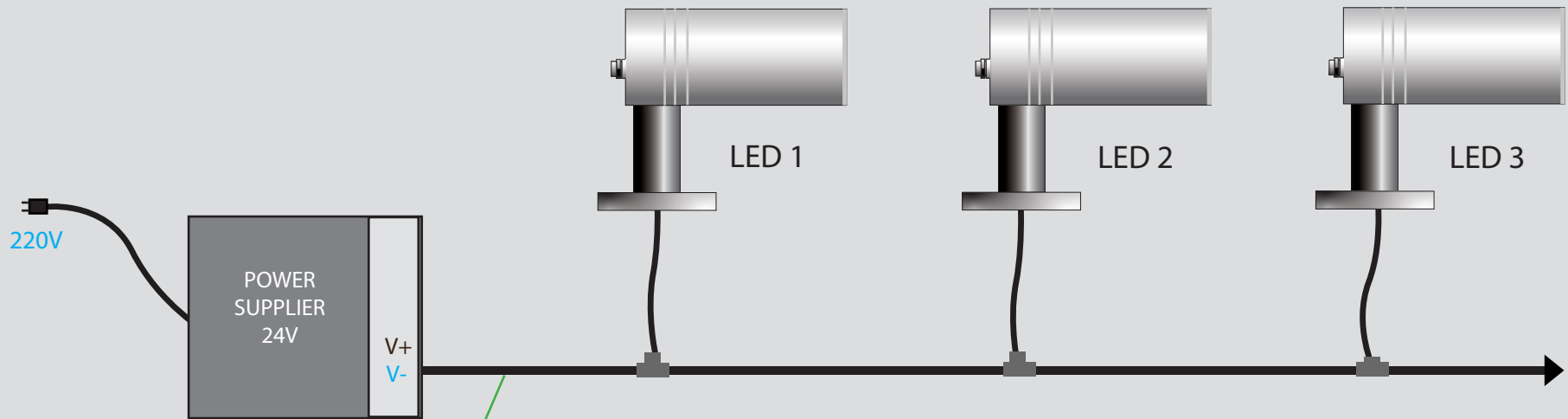


CONNECTOR IP68

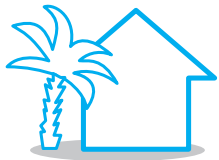


LED UNDER WATER LIGHT 7W

POWER SUPPLIES - INPUT VOTAGE



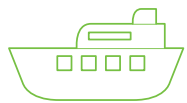
PIN DESCRIPTIONS
1. V+: 24V
2. V-: 0V



OUTDOOR



LANDSCAPE



LED UNDER WATER LIGHT 7W - Applications





THANKS FOR YOUR
ATTENTION