



LED UNDER WATER LIGHT 18W - SERIES A
PRODUCT OUTDOOR



LED UNDER WATER LIGHT 18W

02

SPECCIFICATION



SPECCIFICATION

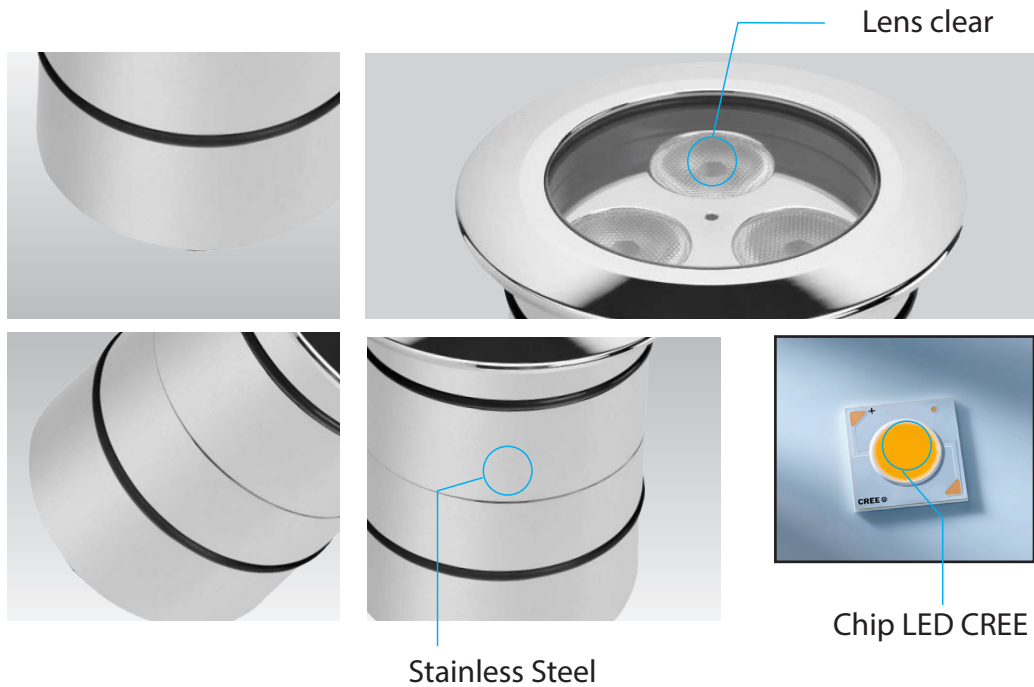
- Order Code: UA018, UA018RGBW
- Input Voltage: 24VDC
- Dimension: Ø90xH125 Cutout Ø74 mm
- Chip LED: CREE
- Power consumption: 18W
- Luminous Flux: 1620lm at 3000K, 18W, CRI>90, 36°
- Material: Stainless steel
- Efficiency: 90%
- Environment temperature: from -30° to 60°C
- Color: 3000K, 4000K, 5000K, RGBW
- CRI: >90
- Beam angle: 12° 15° 24° 36° 50°
- IP Rating: IP68
- Life time: 50.000 hour
- Control: ON/OFF
- Standards:
 - + RoHS; EMC protection
 - + IEC 62031LED
 - + IEC 60598 Luminaires



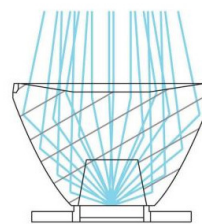
LED UNDER WATER LIGHT 18W

TECHNICAL DETAILS

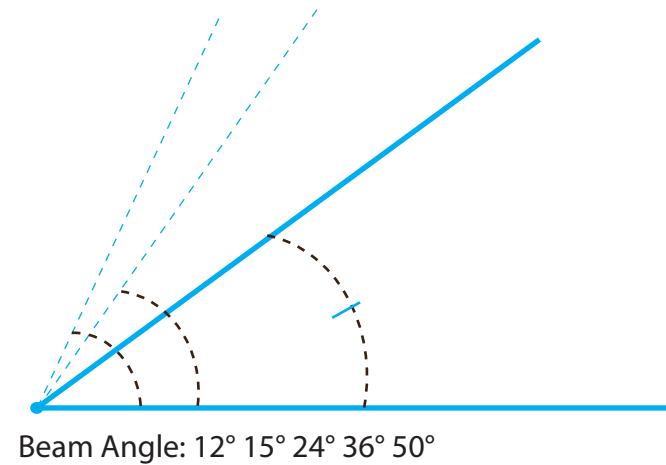
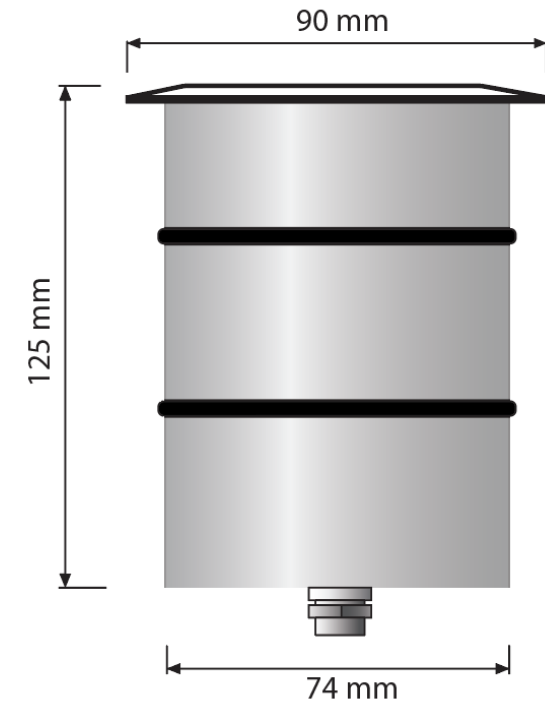
TECHNICAL DETAILS



Legace Reflektor



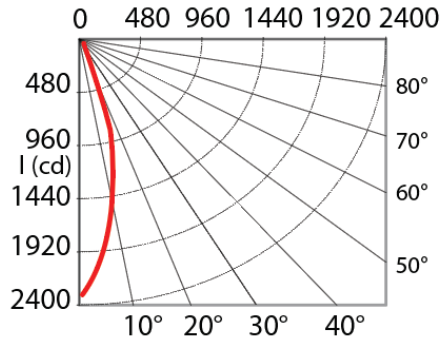
DIMENSIONS



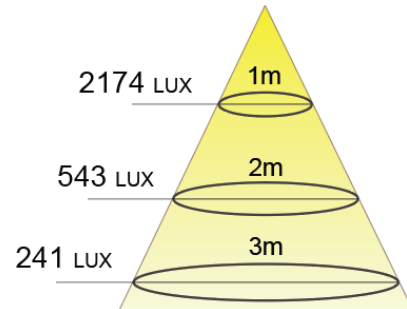
LED UNDER WATER LIGHT 18W

SPECIFICATION

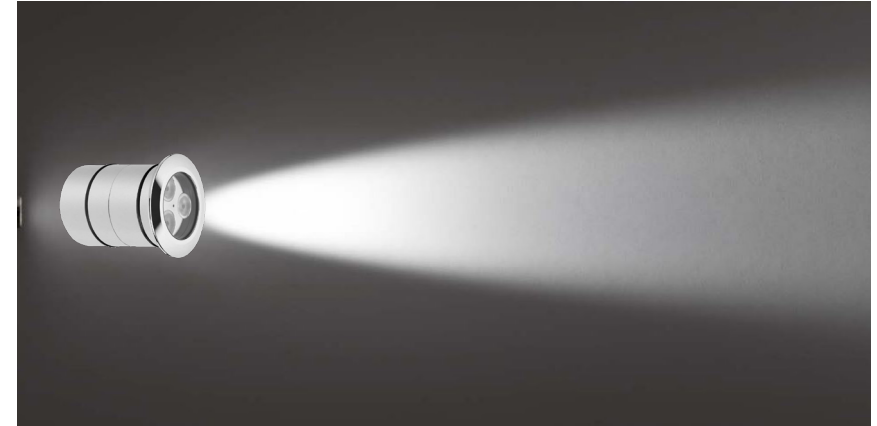
PHOTOMETRIC CURVE



BEAM 36° AMPLITUDE DIAGRAM



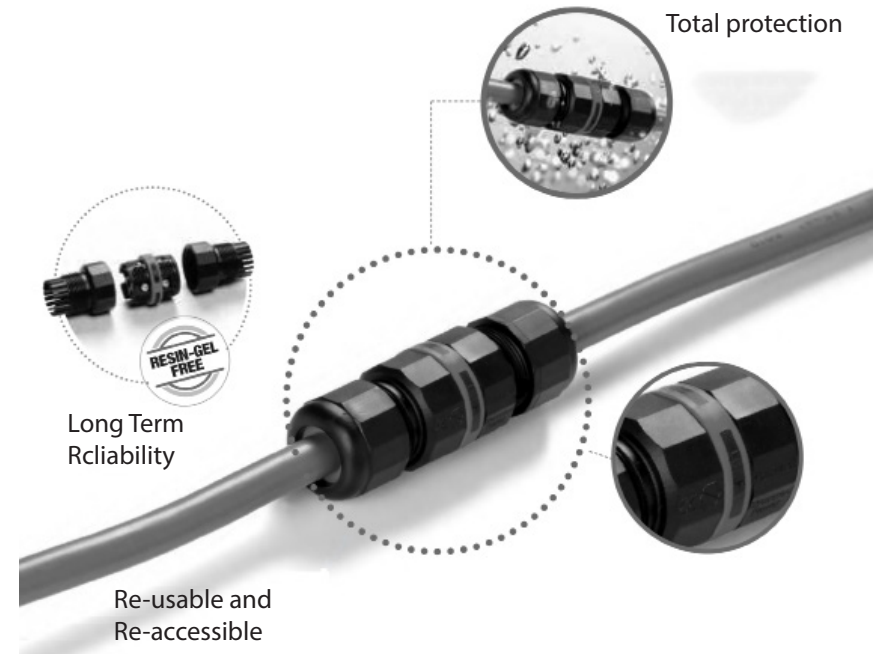
OPTICS



INSTALLATION

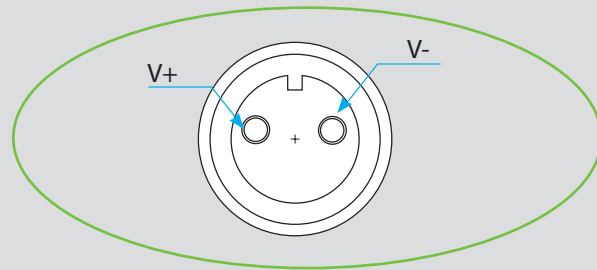
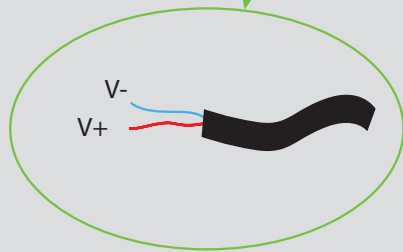
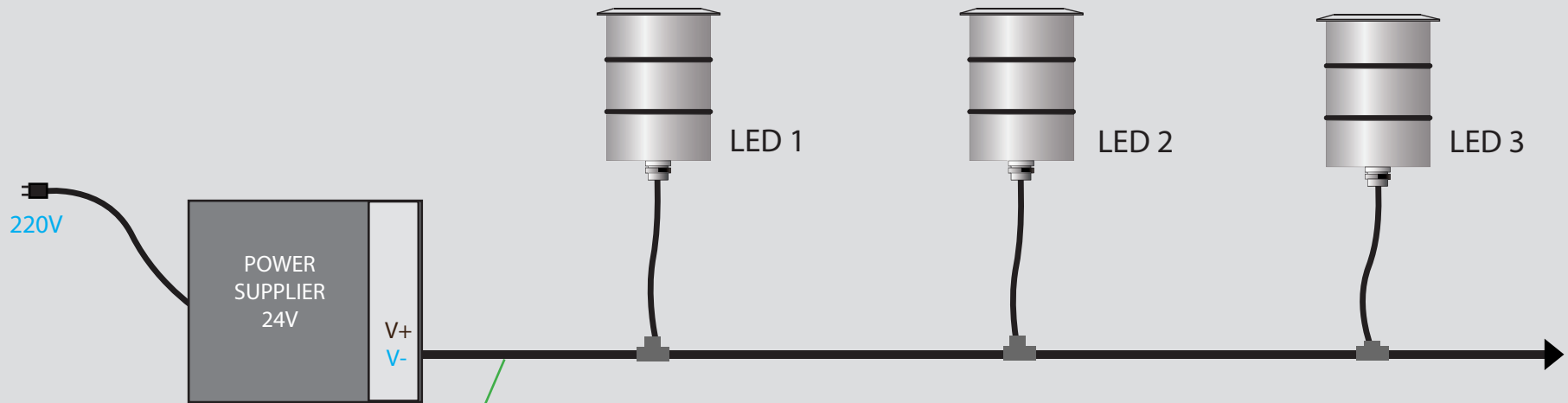


CONNECTOR IP68



LED UNDER WATER LIGHT 18W

POWER SUPPLIES - INPUT VOTAGE

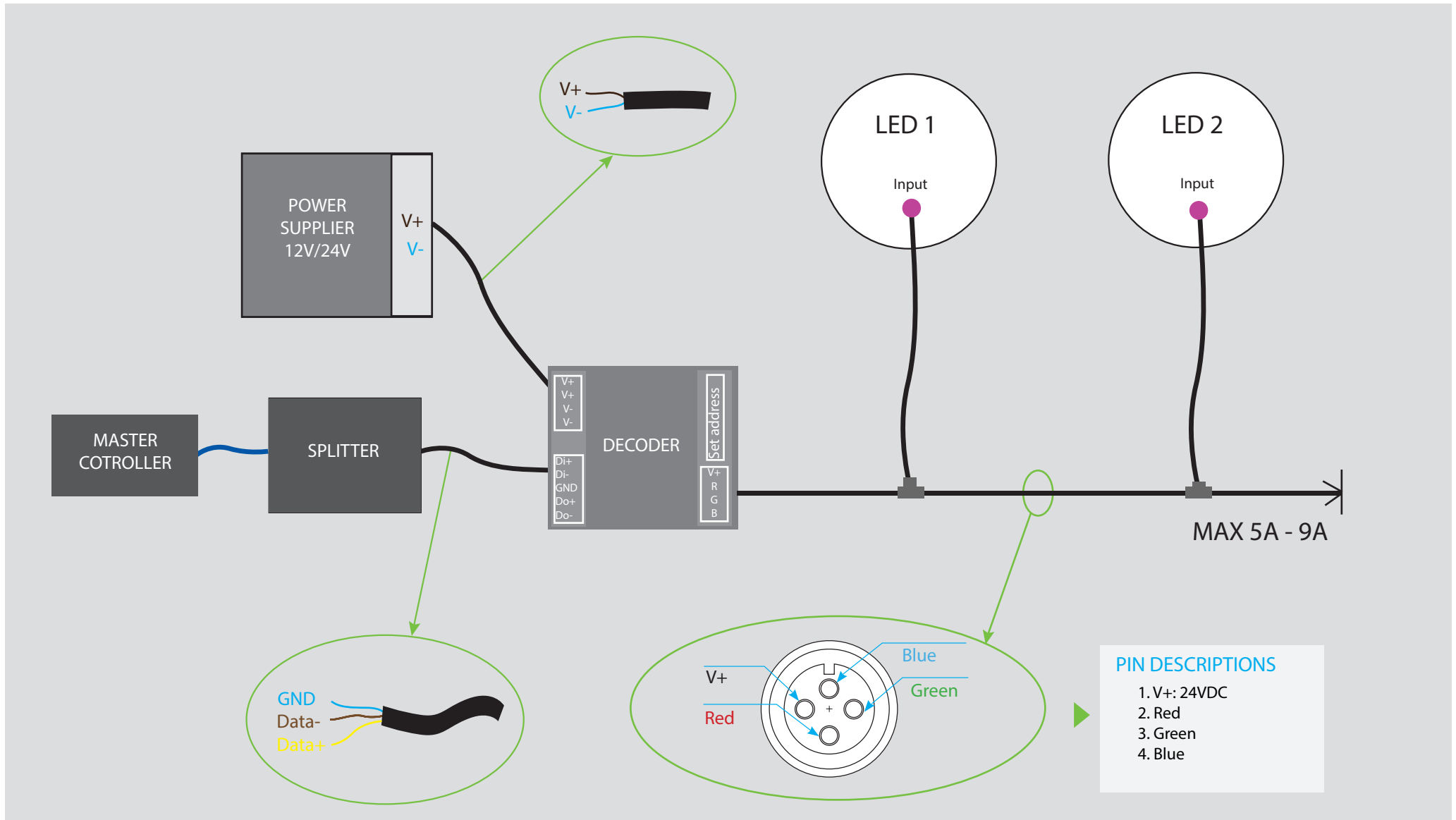


PIN DESCRIPTIONS

- 1. V+: 24V
- 2. V-: 0V

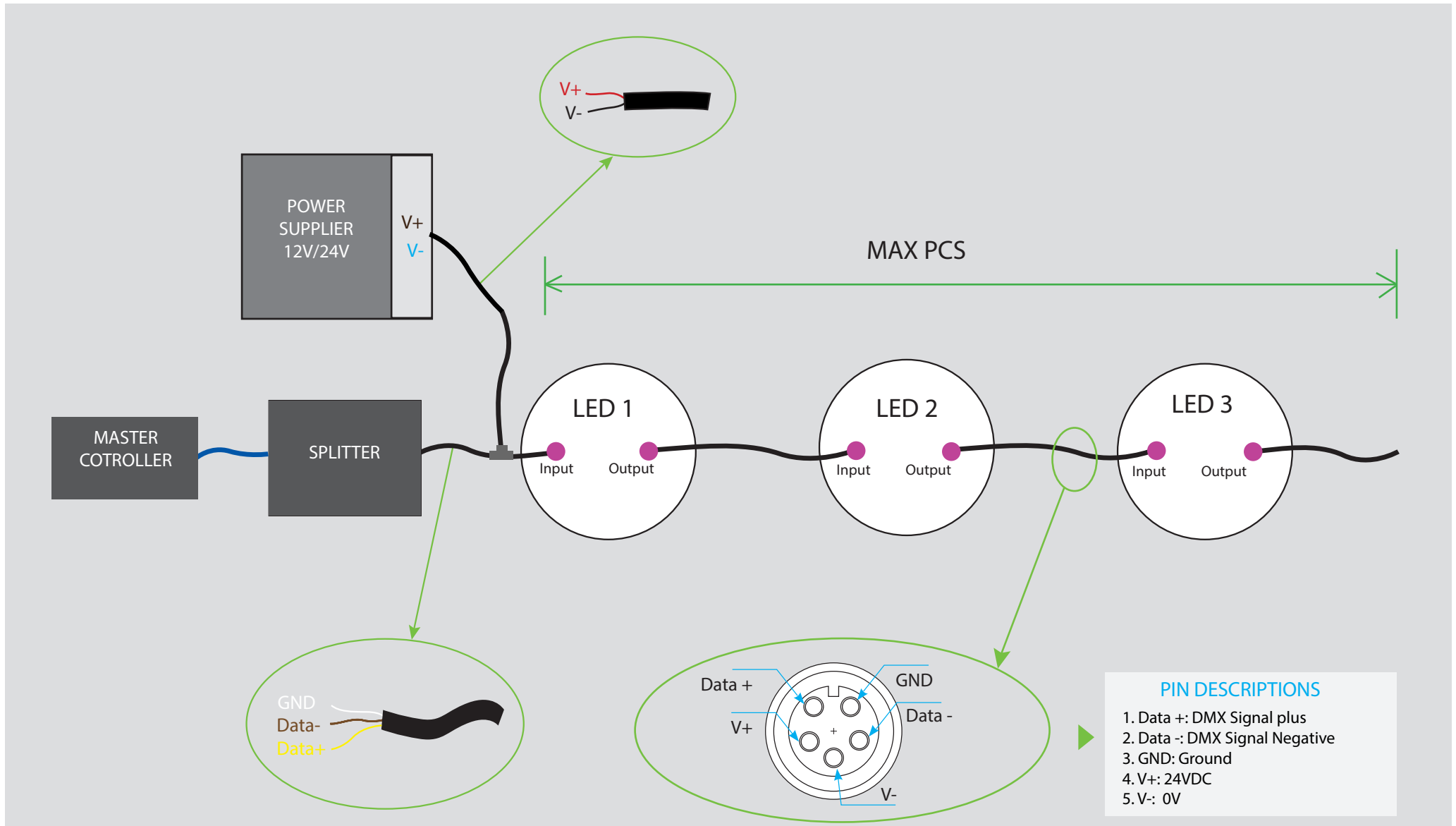
LED UNDER WATER LIGHT 18W

DIAGRAM CONNECTOR - DMX PROTOCOL - 4 CORE & DECODER



LED UNDER WATER LIGHT 18W

DIAGRAM CONNECTOR - DMX PROTOCOL - 5 CORE



LED UNDER WATER LIGHT 18W - Applications



OUTDOOR



LANDSCAPE



HOTEL/RESTAURANT



LED UNDER WATER LIGHT 18W - Applications





THANKS FOR YOUR
ATTENTION