



LED INGROUND LIGHT 12W - SERIES A
PRODUCT OUTDOOR



LED INGROUND LIGHT 12W

SPECCIFICATION



SPECCIFICATION

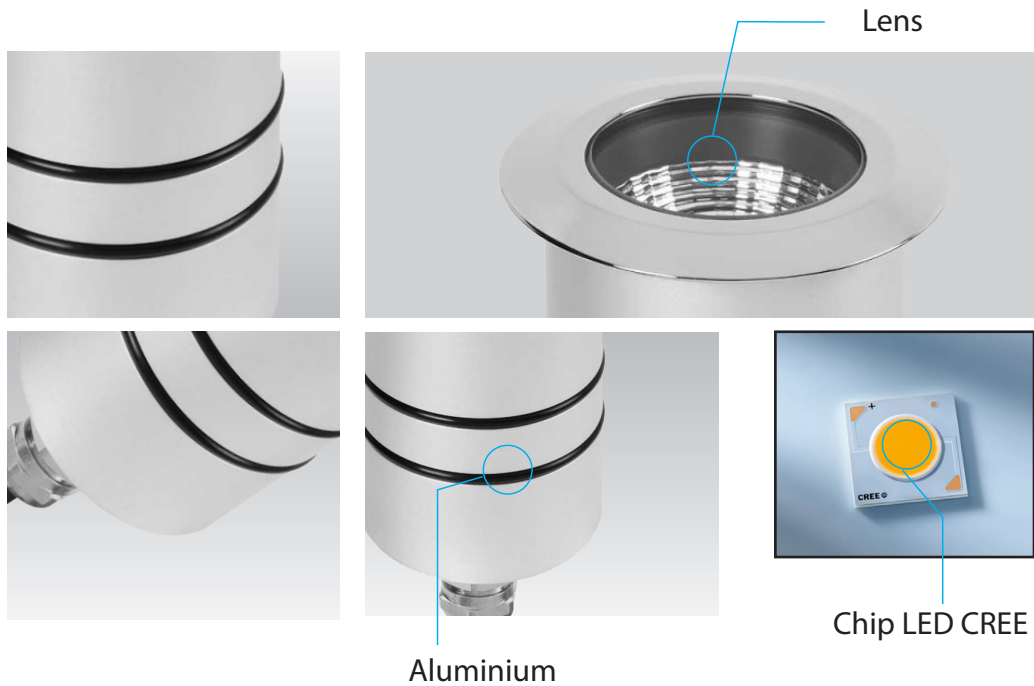
- Order Code: IA012, IA012RGBW
- Input Voltage: 24VDC, 220V
- Dimension: Ø77xH100 Cutout Ø60mm
- Chip LED: CREE
- Power consumption: 12W
- Lumen Output: 1080 lm
- Material: Aluminium
- Efficiency: 90%
- Environment temperature: from -30° to 60°C
- Color[CRI]: 3000K, 4000k, 5000k, RGBW
- CRI: >90
- Beam angle: 12° 24° 36° 50°
- IP Rating: IP68
- Life time: 50.000 hour
- Control: ON/OFF, DIM 0 - 10V, DALI, DMX512
- Standards:
 - + RoHS; EMC protection
 - + IEC 62031LED
 - + IEC 60598 Luminaires



LED INGROUND LIGHT 12W

TECHNICAL DETAILS

TECHNICAL DETAILS



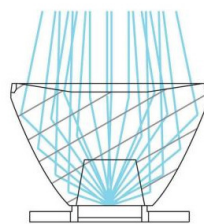
Connector IP68



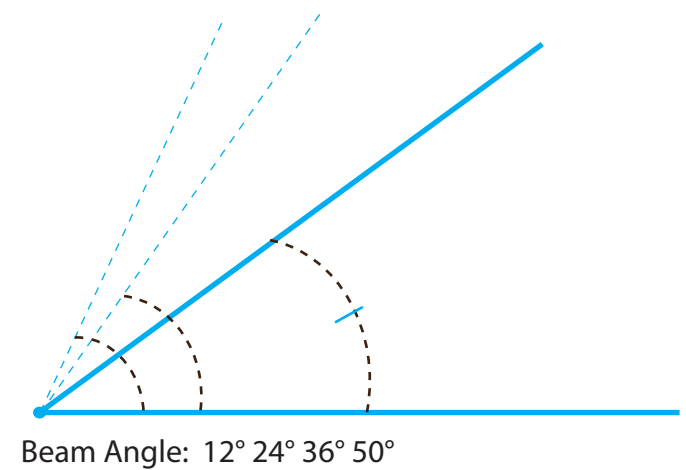
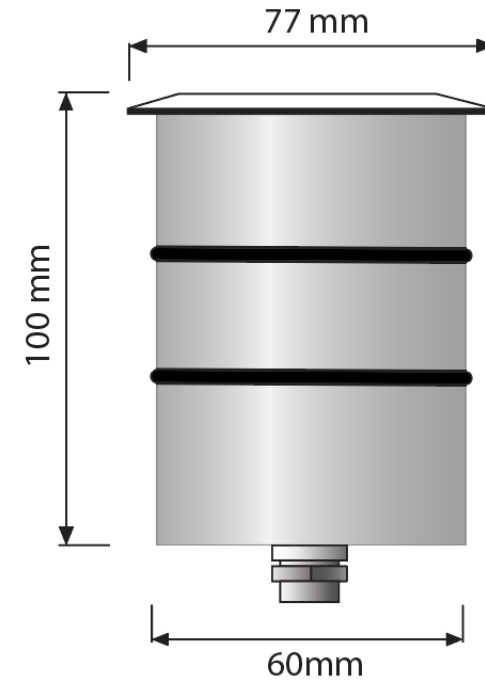
Lens Clear



Legace Reflektor



DIMENSIONS

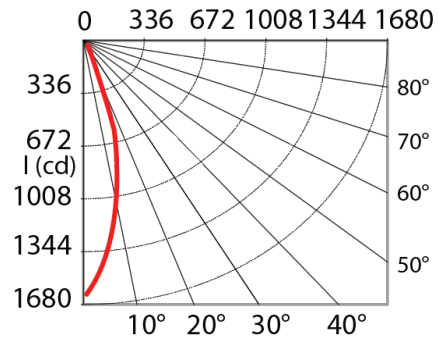


LED INGROUND LIGHT 12W

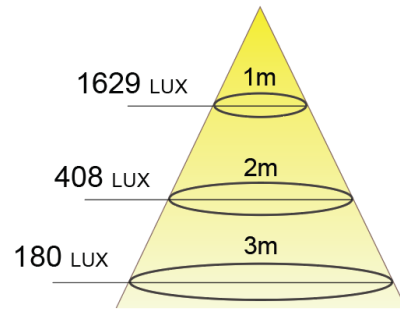
SPECIFICATION

36° Beam Angle

PHOTOMETRIC CURVE

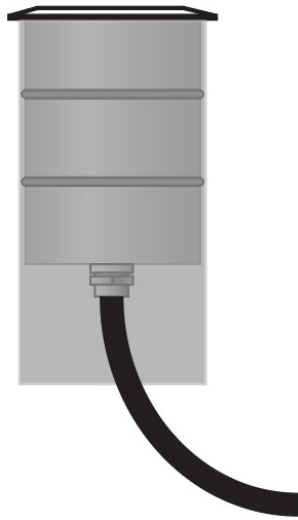


BEAM 36° AMPLITUDE DIAGRAM

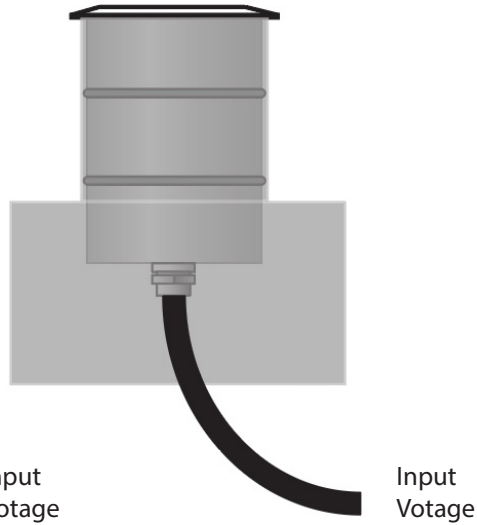


INSTALLATION

Option 1



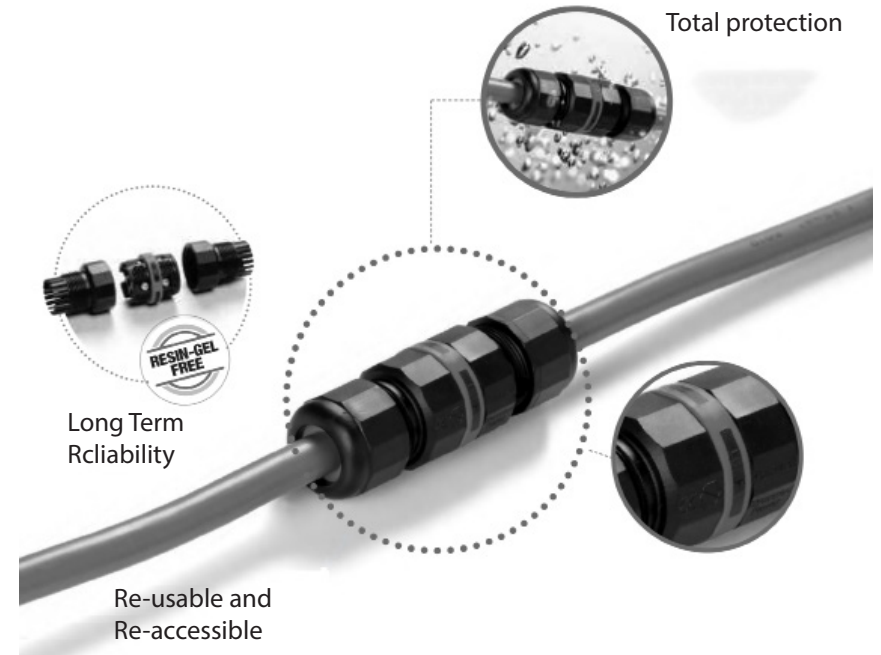
Option 2



Input
Votage

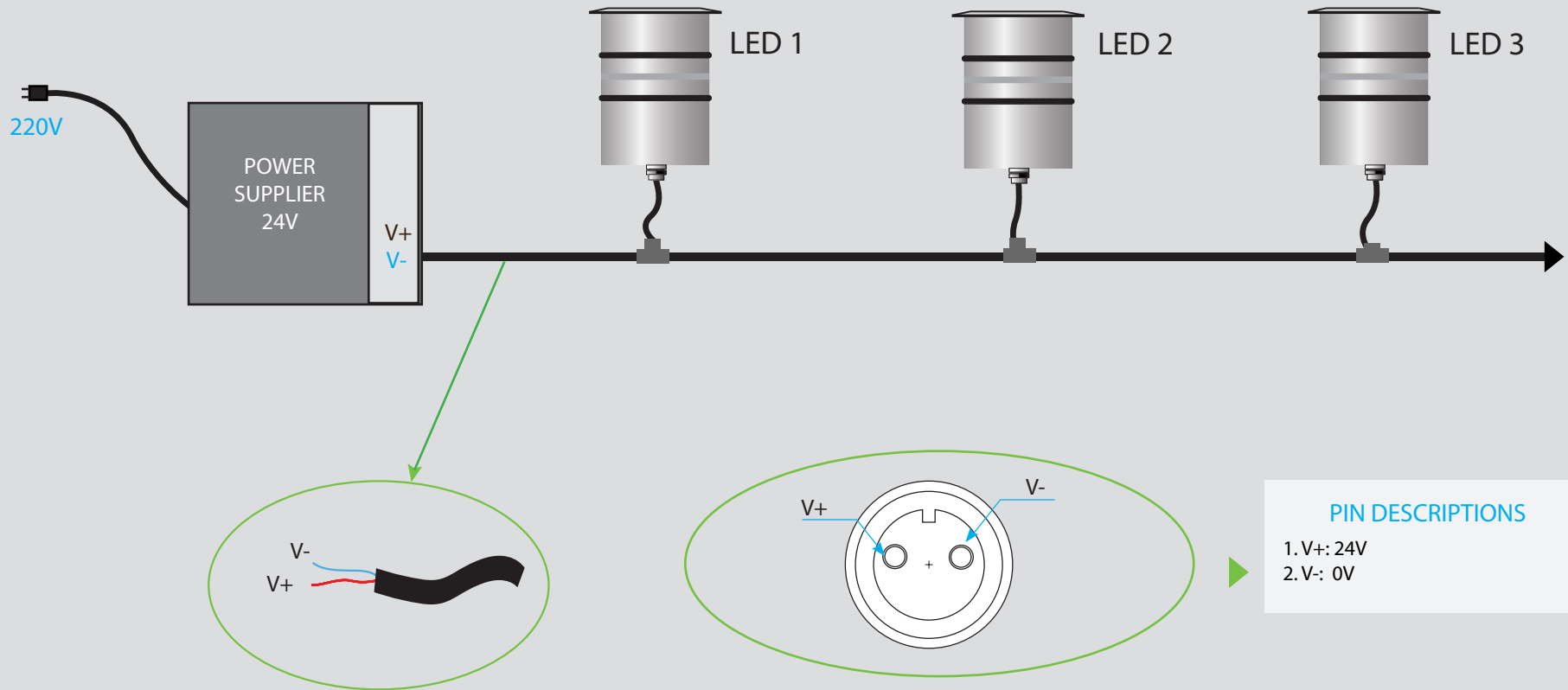
Input
Votage

CONNECTOR IP68



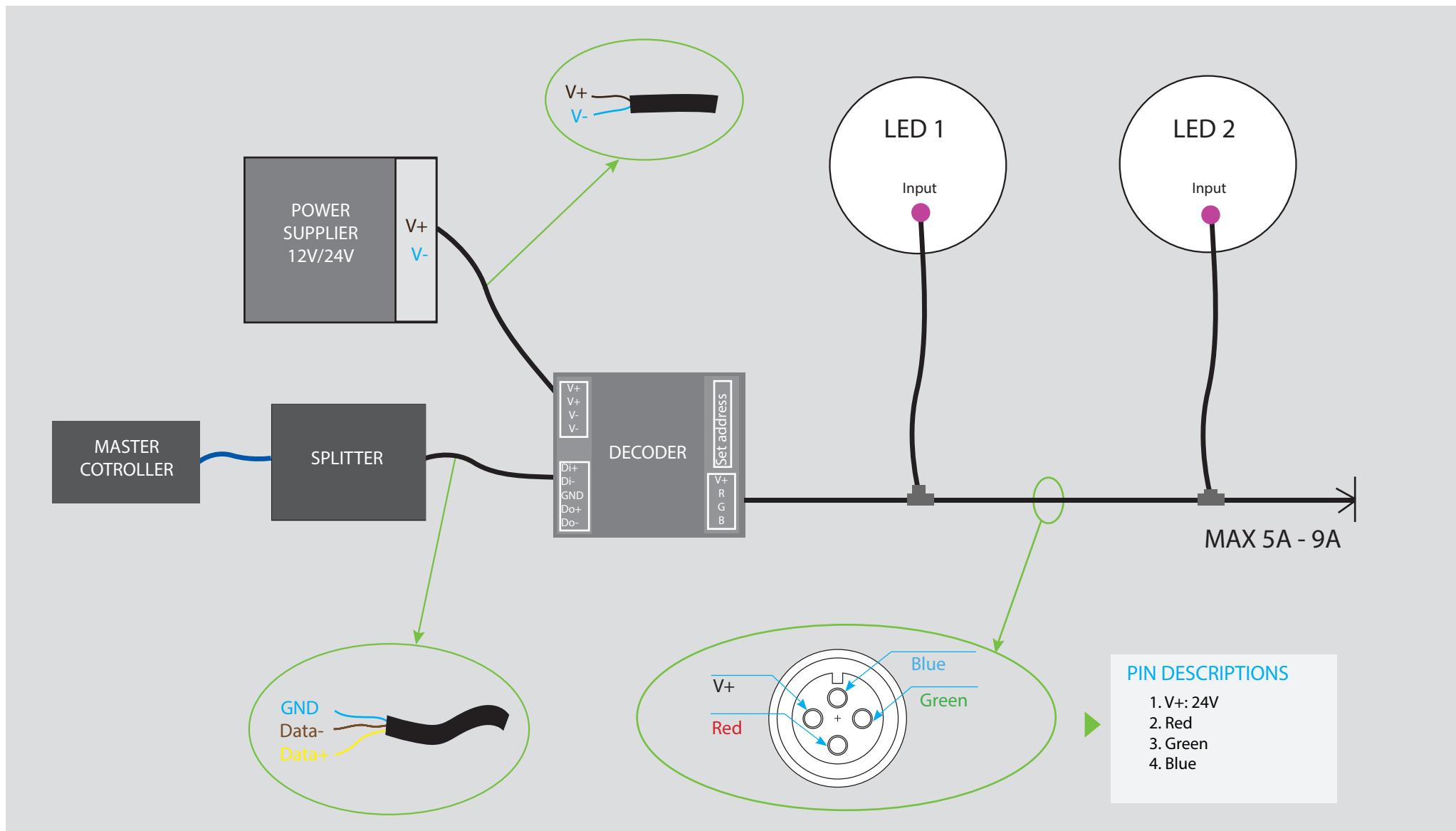
LED INGROUND LIGHT 12W

POWER SUPPLIES - INPUT VOTAGE



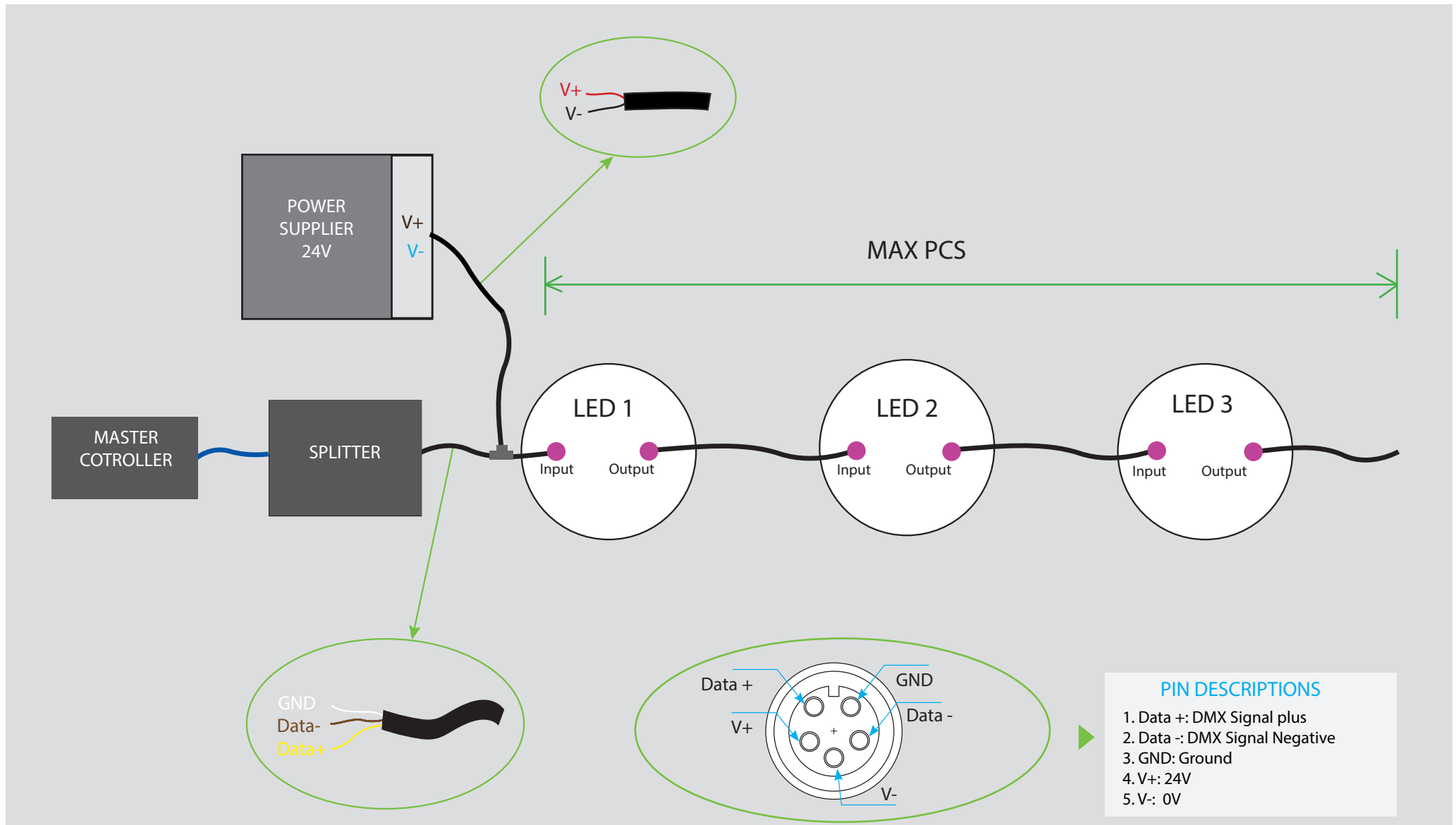
LED INGROUND LIGHT 12W

DIAGRAM CONNECTOR - DMX PROTOCOL - 4 CORE & DECODER



LED INGROUND LIGHT 12W

DIAGRAM CONNECTOR - DMX PROTOCOL - 5 CORE



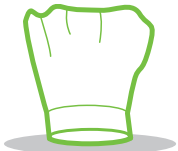
LED INGROUND LIGHT 12W - Applications



OUTDOOR



LANDSCAPE



HOTEL/RESTAURANT



FACADE BUILDING



LED INGROUND LIGHT 12W - Applications





THANKS FOR YOUR
ATTENTION