

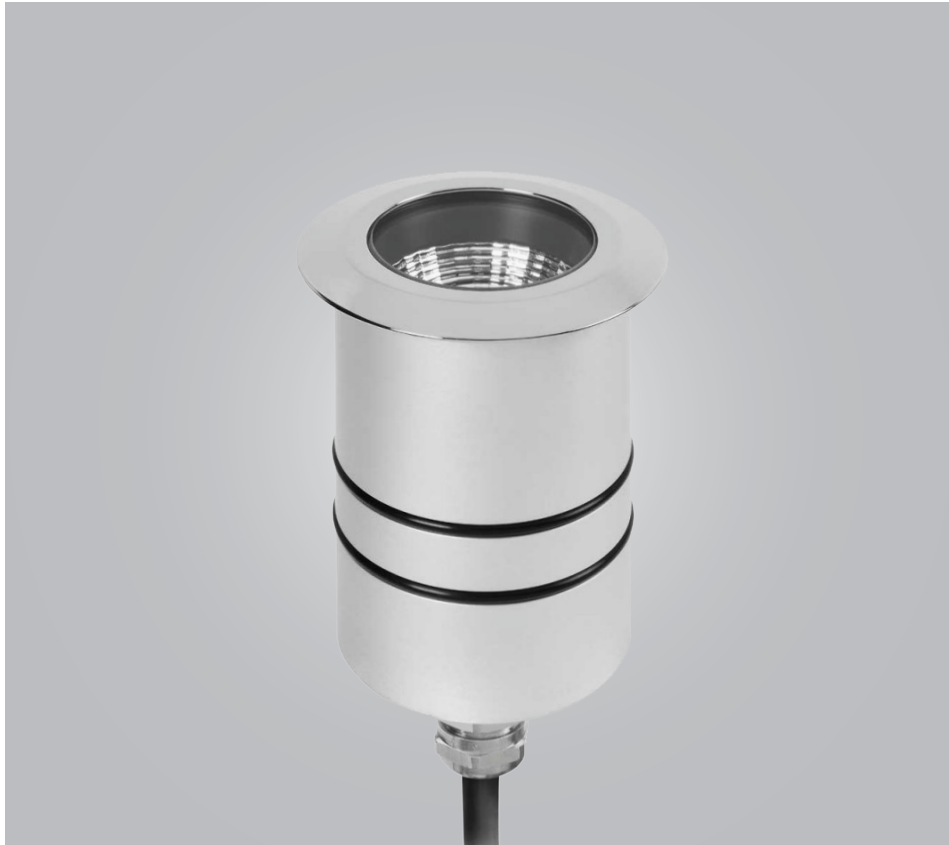


LED UNDER WATER LIGHT 15W - SERIES A  
PRODUCT OUTDOOR



# LED UNDER WATER LIGHT 15W

## SPECCIFICATION



## SPECCIFICATION

- Order Code: UA015, UA015RGBW
- Input Voltage: 24VDC
- Dimension: Ø77xH100 Cutout Ø60 mm
- Chip LED: CREE
- Power consumption: 15W
- Luminous Flux: 1350lm at 3000K, 15W, CRI>90, 36°
- Material: Stainless steel
- Efficiency: 90%
- Environment temperature: from -30° to 60°C
- Color: 3000K, 4000K, 5000K, RGBW
- CRI: >90
- Beam angle: 12° 15° 24° 36° 50°
- IP Rating: IP68
- Life time: 50.000 hour
- Control: ON/OFF
- Standards:
  - + RoHS; EMC protection
  - + IEC 62031LED
  - + IEC 60598 Luminaires



# LED UNDER WATER LIGHT 15W

## TECHNICAL DETAILS

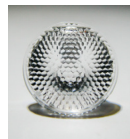
### TECHNICAL DETAILS



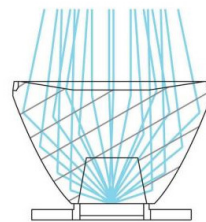
Connector IP68



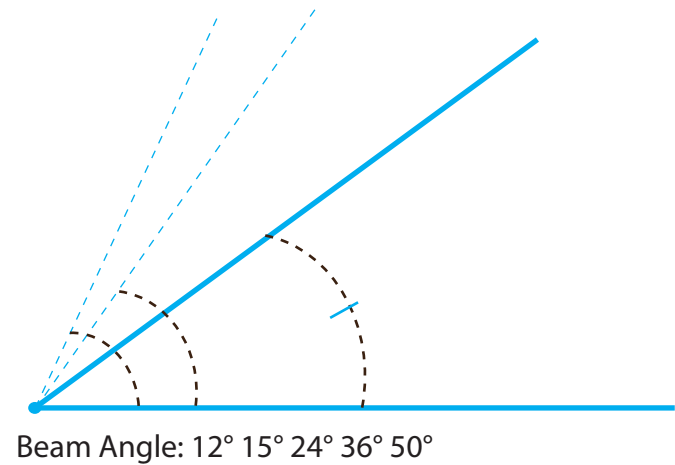
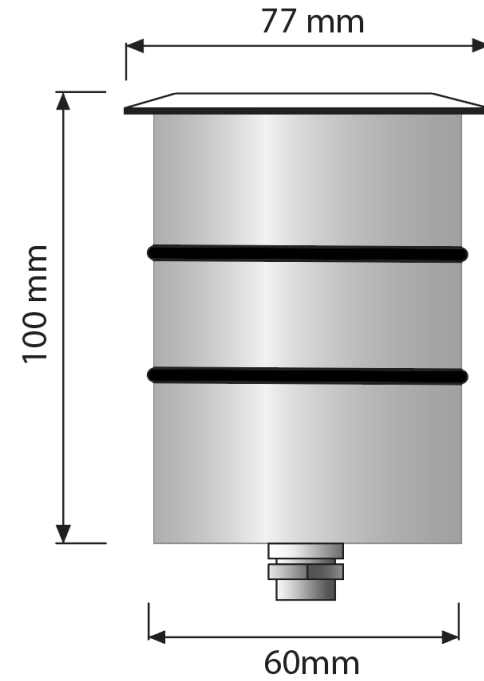
Lens Clear



Legace Reflector



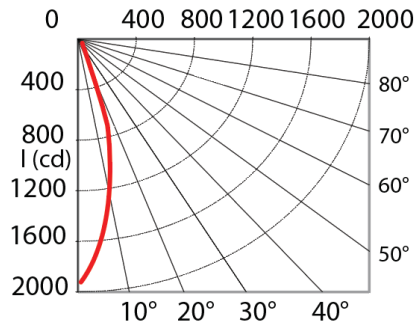
## DIMENSIONS



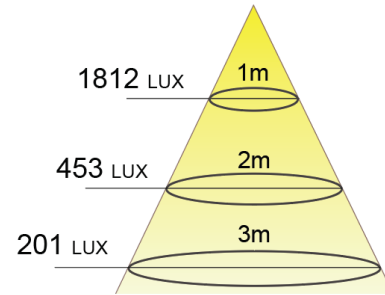
# LED UNDER WATER LIGHT 15W

## SPECIFICATION

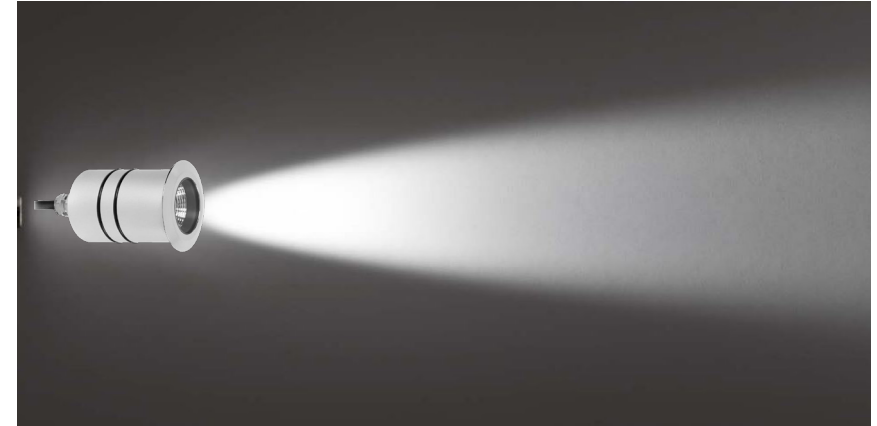
PHOTOMETRIC CURVE



BEAM 36° AMPLITUDE DIAGRAM



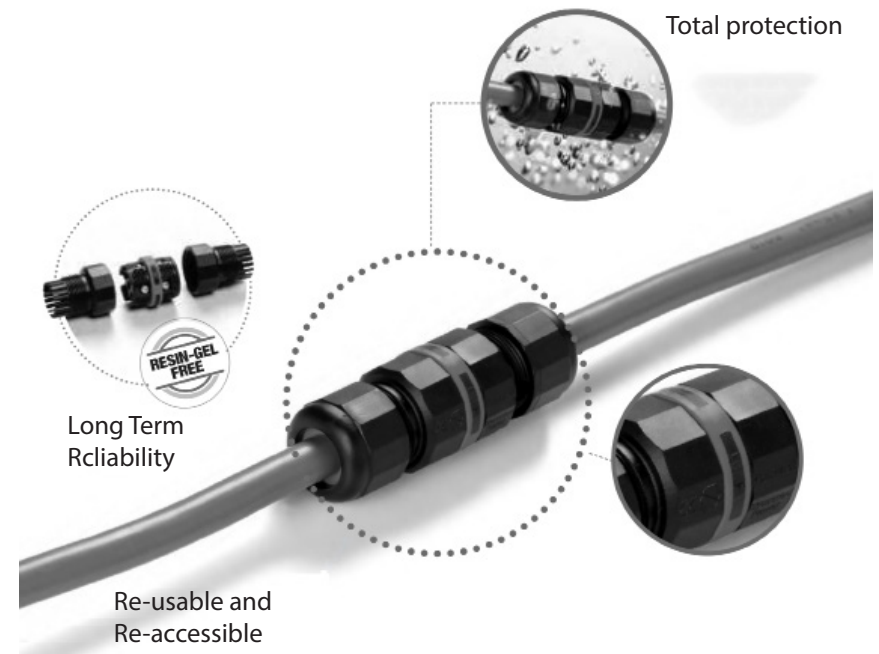
## OPTICS



## INSTALLATION

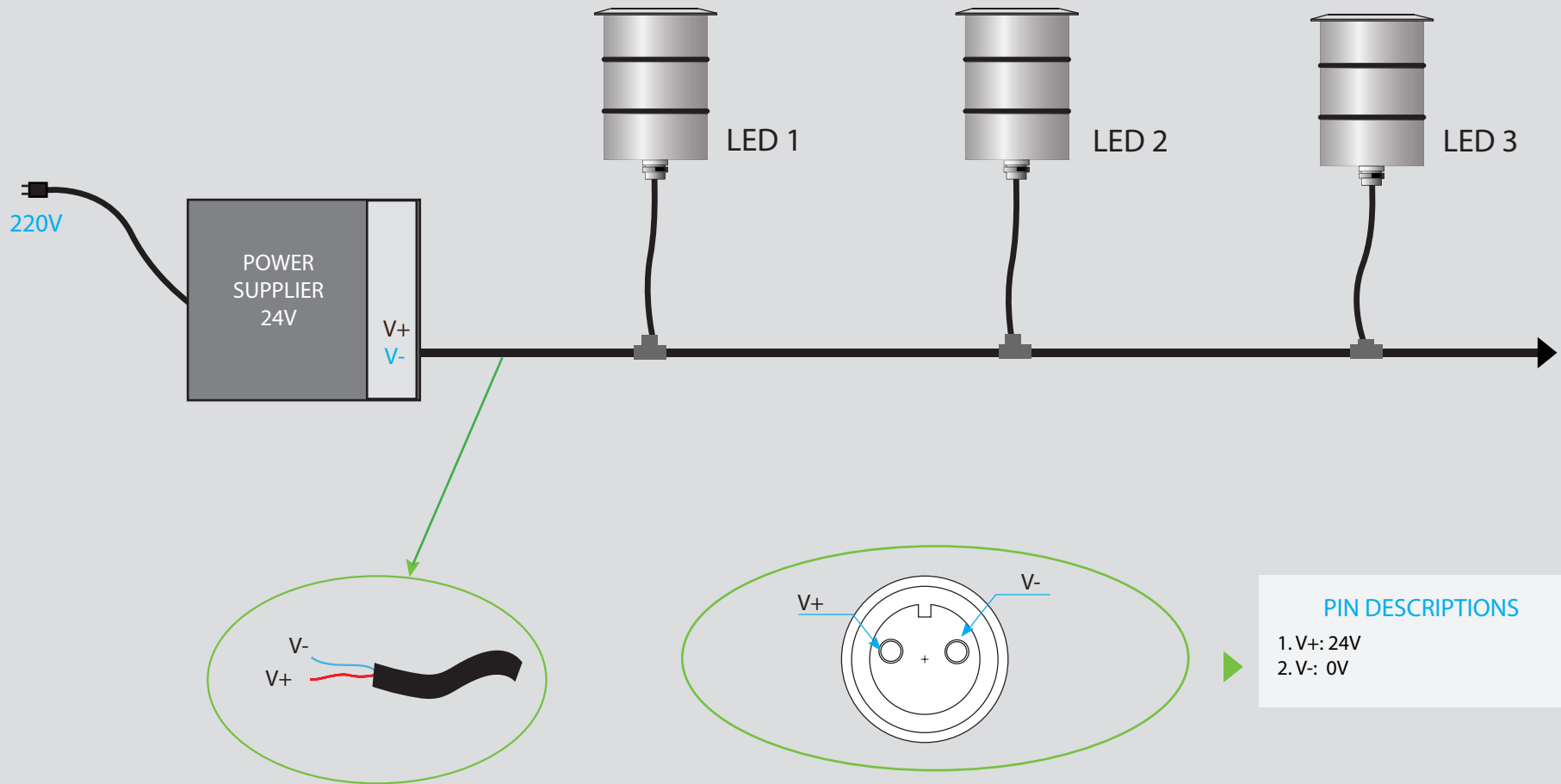


## CONNECTOR IP68



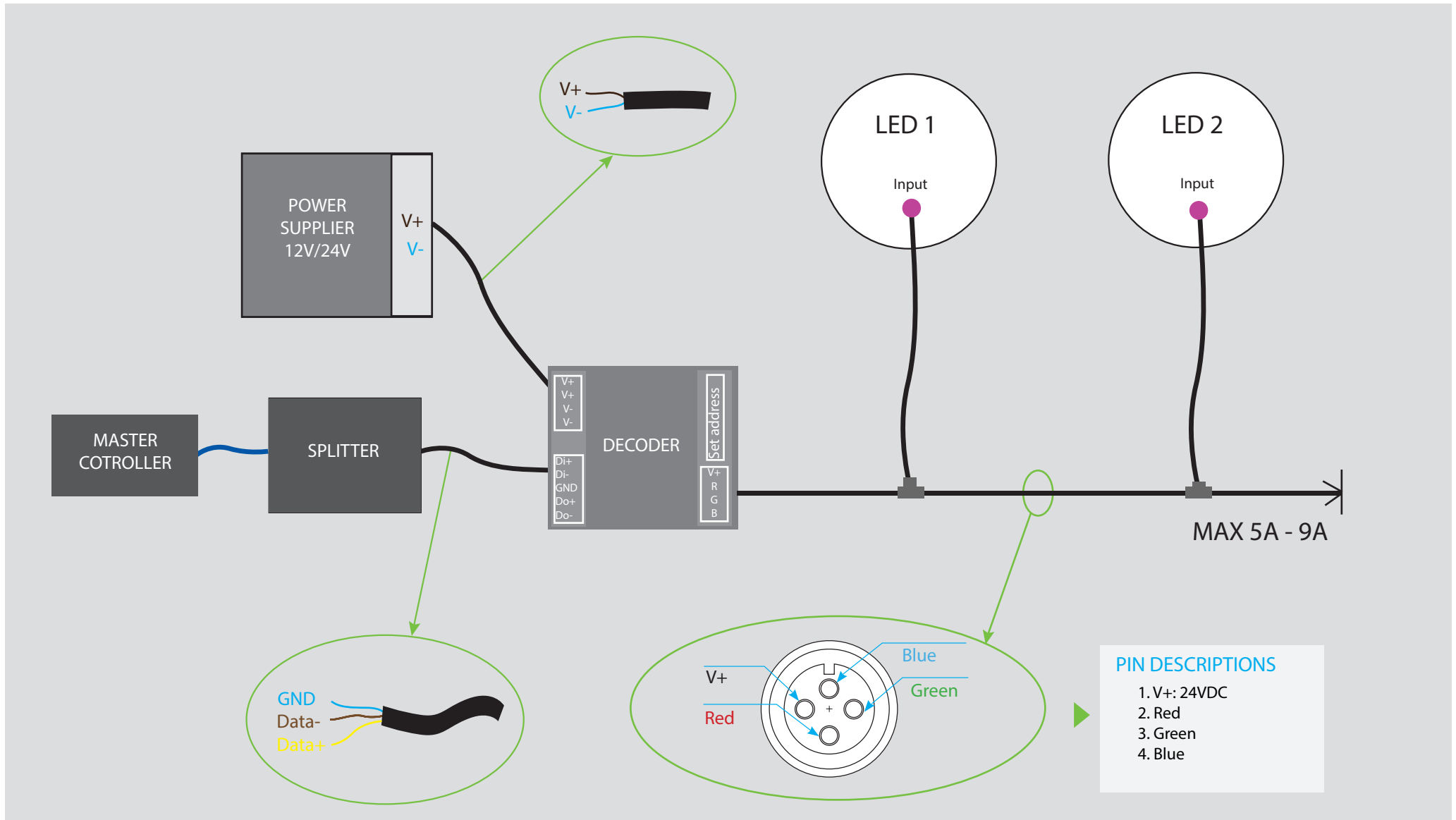
# LED UNDER WATER LIGHT 15W

## POWER SUPPLIES - INPUT VOTAGE



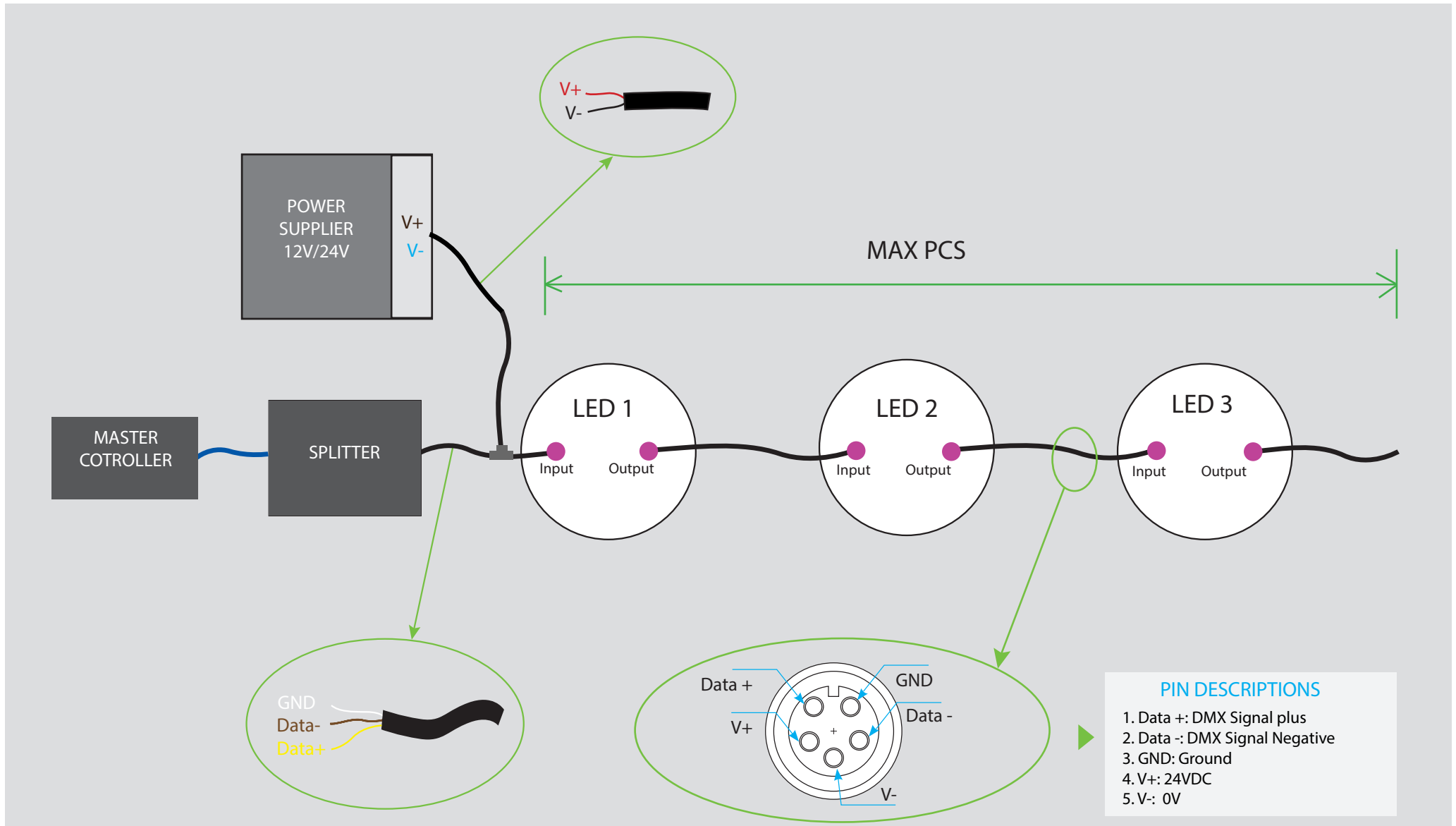
# LED UNDER WATER LIGHT 15W

## DIAGRAM CONNECTOR - DMX PROTOCOL - 4 CORE & DECODER



# LED UNDER WATER LIGHT 15W

## DIAGRAM CONNECTOR - DMX PROTOCOL - 5 CORE



# LED UNDER WATER LIGHT 15W - Applications



OUTDOOR



LANDSCAPE



HOTEL/RESTAURANT



# LED UNDER WATER LIGHT 15W - Applications





THANKS FOR YOUR  
ATTENTION