



LED LINEAR LIGHT 18W - SERIES B
PRODUCT OUTDOOR



LED LINEAR LIGHT 18W

SPECIFICATION



SPECIFICATION

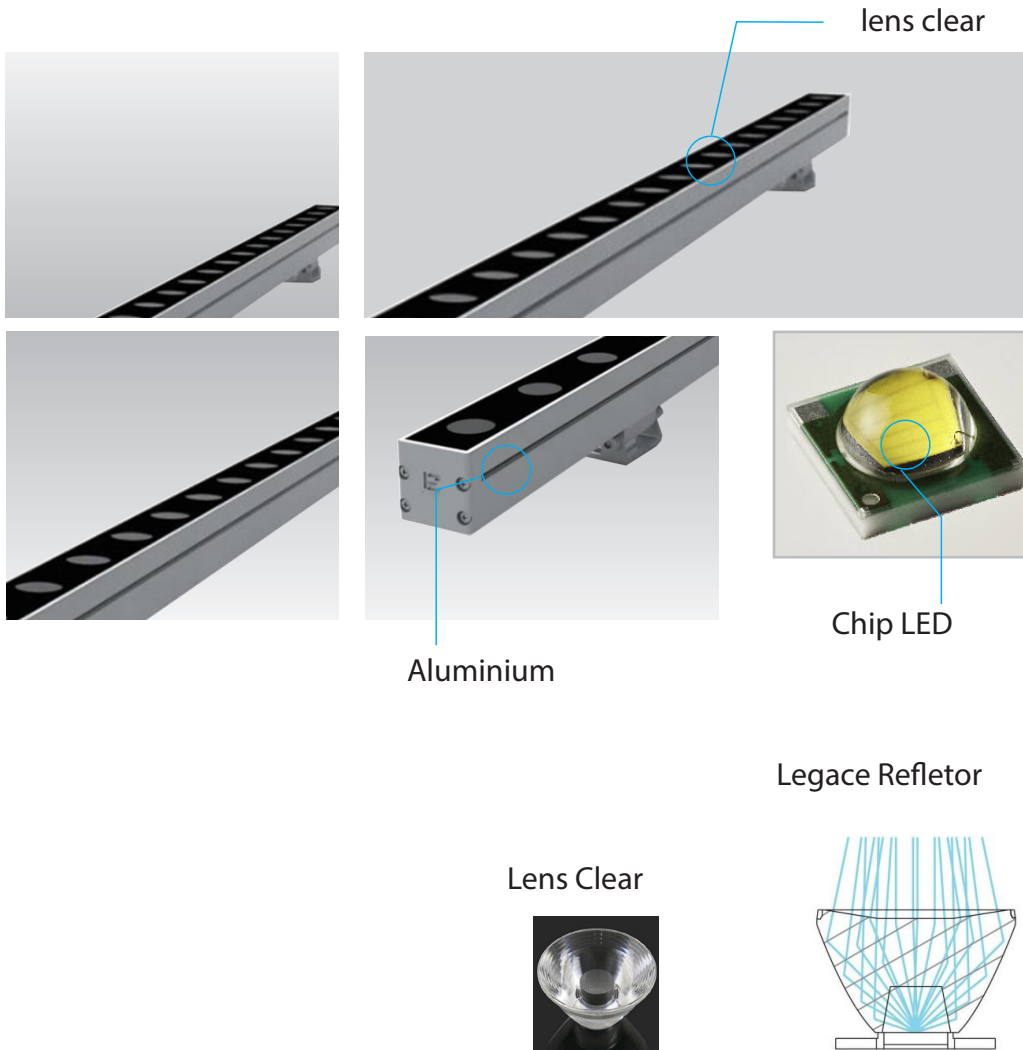
- Order Code: LB018
- Input Voltage: 24Vdc
- Dimension: L500xW41xH66mm
- Chip LED: CREE
- Power consumption: 18W
- Lumen Output: 1620 lm
- Material: Aluminium
- Efficiency: 90%
- Environment temperature: from -30° to 60°C
- Color[CRI]: 3000K, 4000k, 5000k, RGBW
- CRI: >80
- Beam angle:
 - + Len: 10°x20° (20°,40°, 50°,60°)
 - + Reflector: 12° 24° 36° 50°
- IP Rating: IP67
- Life time: 50.000 hour
- Control: ON/OFF, Dimmable, DMX512
- Standards:
 - + RoHS; EMC protection
 - + IEC 62031LED
 - + IEC 60598 Luminaires



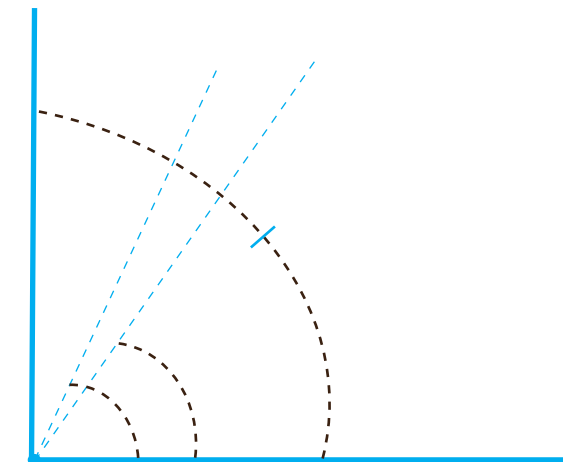
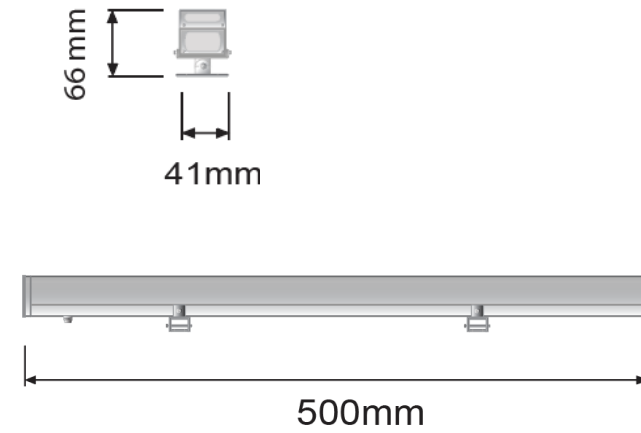
LED LINEAR LIGHT 18W

TECHNICAL DETAILS

TECHNICAL DETAILS



DIMENSIONS



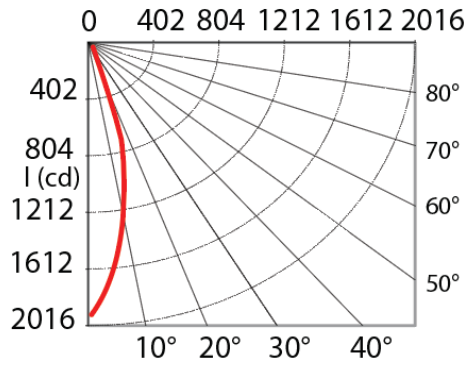
Beam Angle:
+ Len: 10°x20° (20°,40°, 50°,60°)
+ Reflector: 12° 24° 36° 50°

LED LINEAR LIGHT 18W

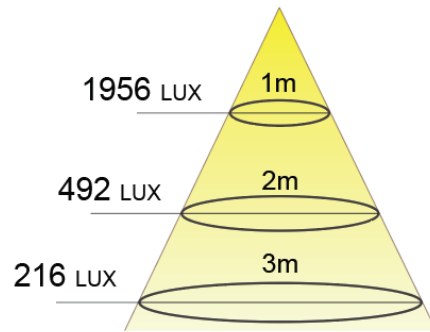
SPECIFICATION

12° Beam Angle

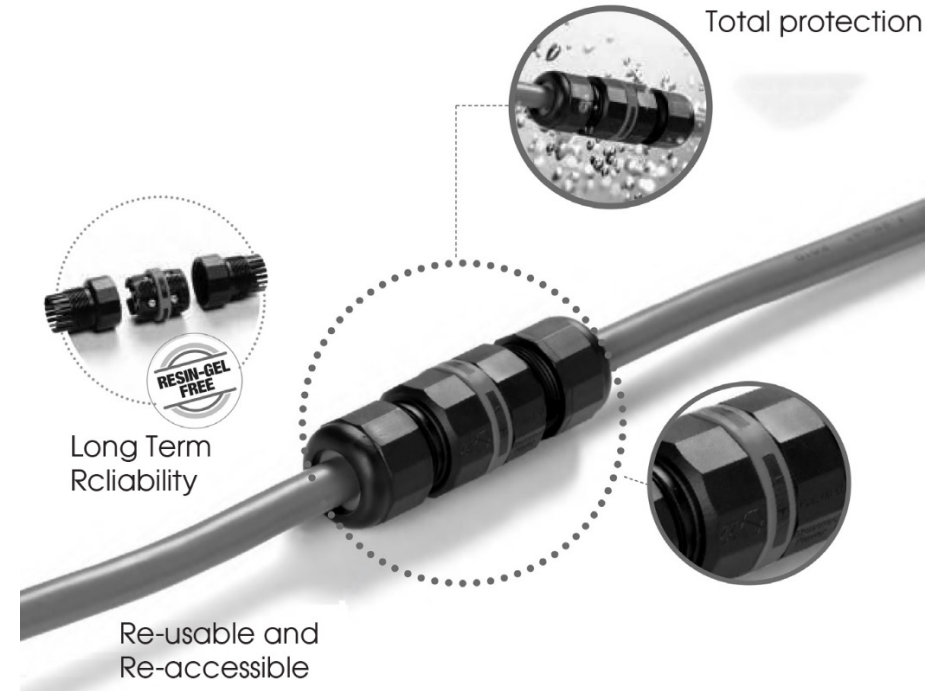
PHOTOMETRIC CURVE



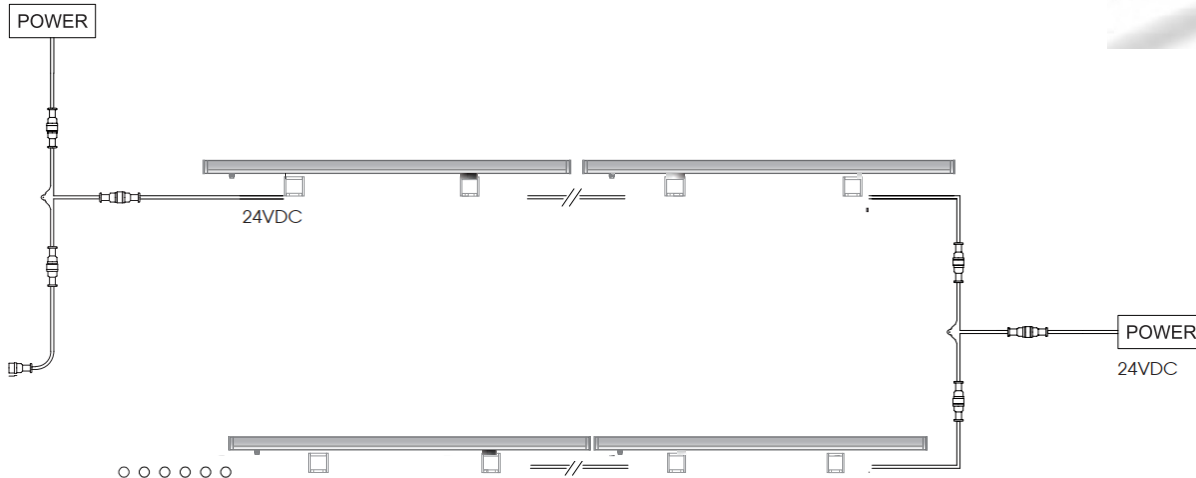
BEAM 36° AMPLITUDE DIAGRAM



CONNECTOR IP68

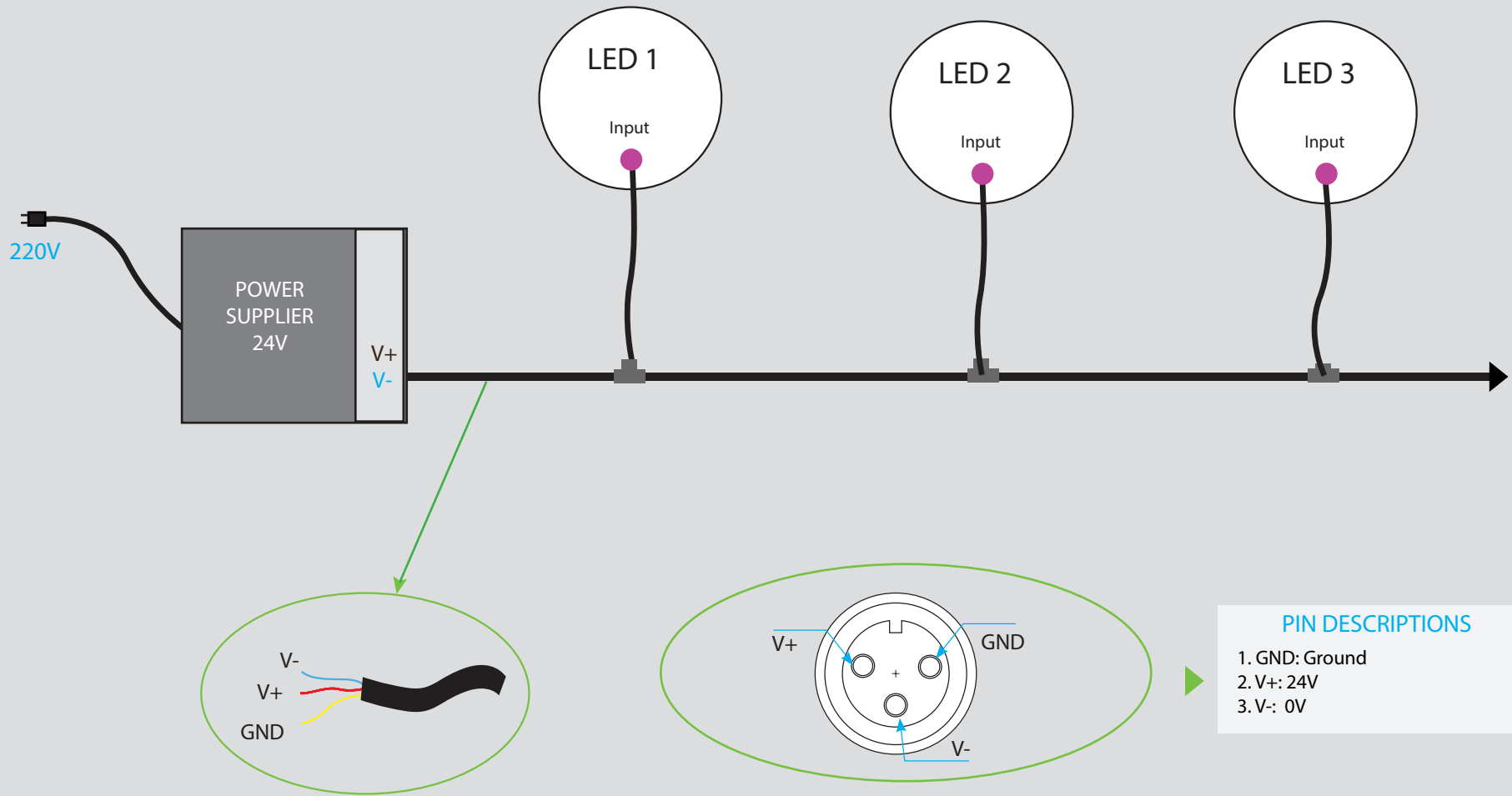


SPECIFICATION



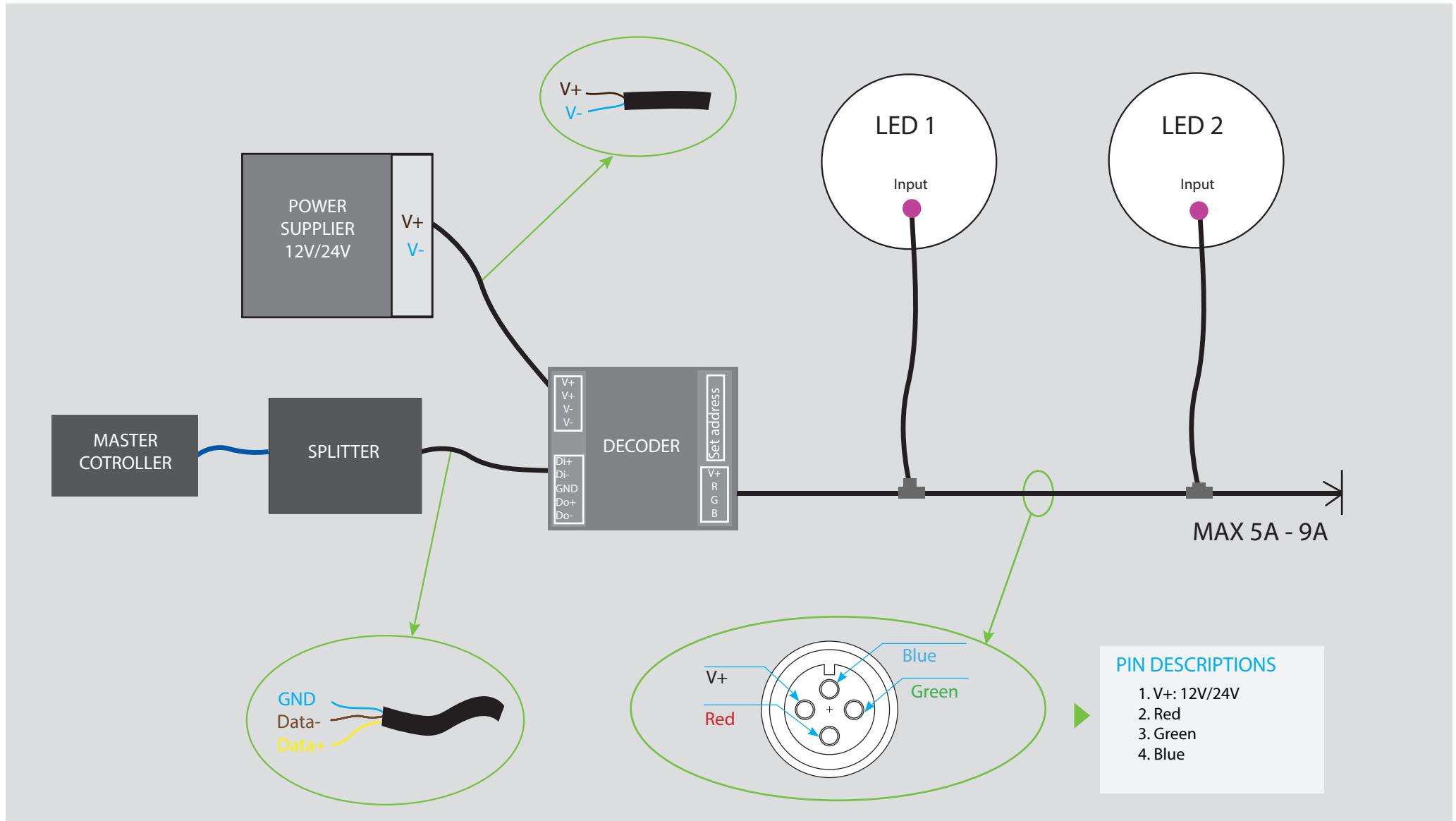
LED LINEAR LIGHT 18W

POWER SUPPLIES - INPUT VOTAGE



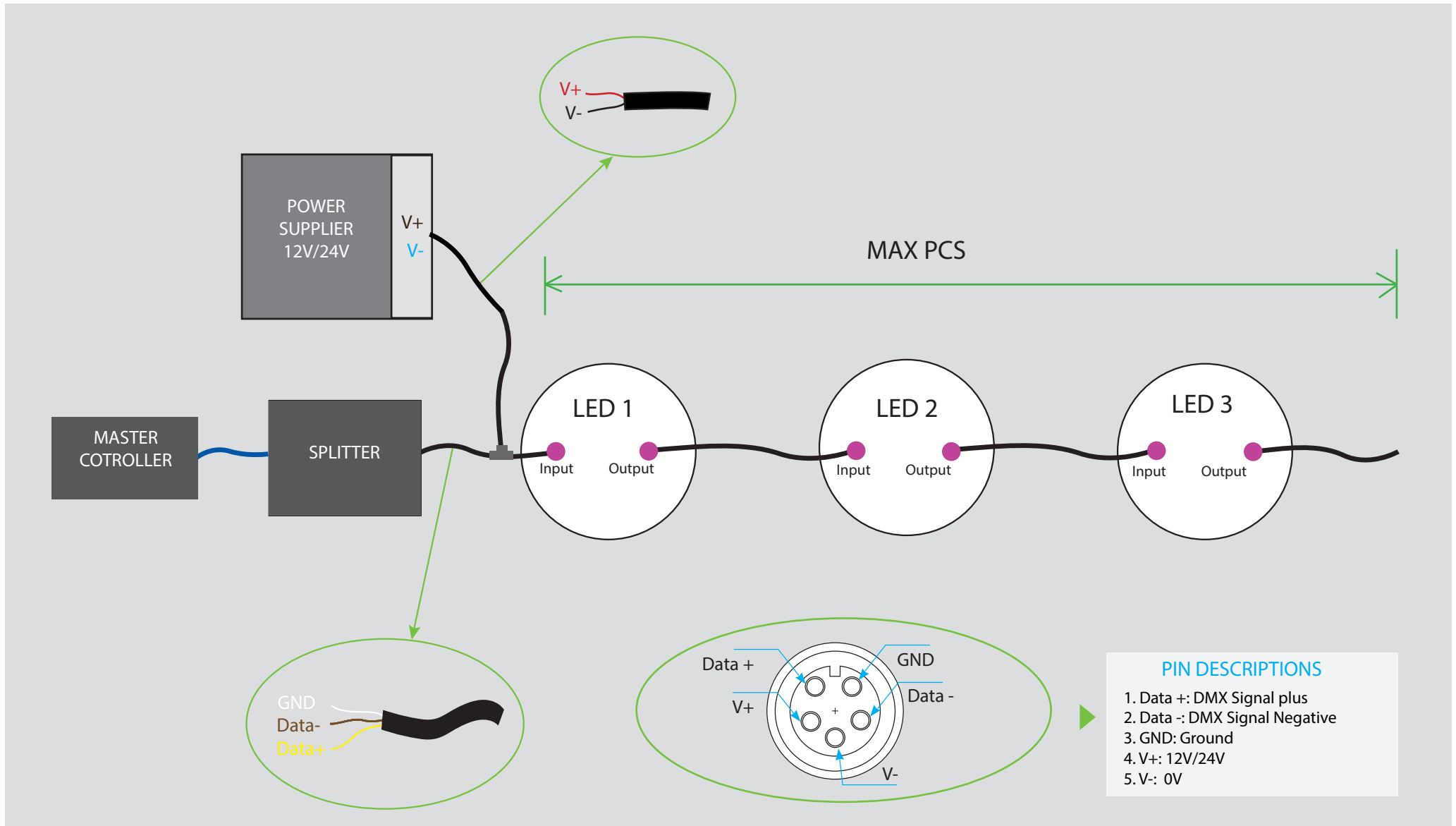
LED LINEAR LIGHT 18W

DIAGRAM CONNECTOR - DMX PROTOCOL - 4 CORE & DECODER



LED LINEAR LIGHT 18W

DIAGRAM CONNECTOR - DMX PROTOCOL - 5 CORE



LED LINEAR LIGHT 18W - Applications



OUTDOOR



LANDSCAPE



HOTEL/RESTAURANT

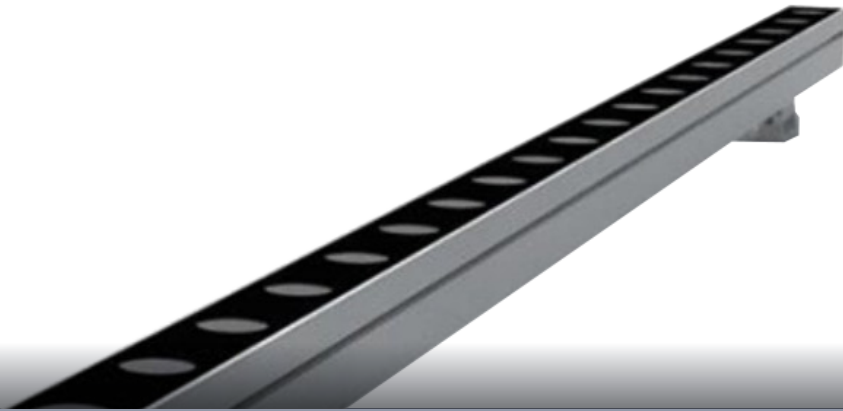


FACADE BUILDING



LED LINEAR LIGHT 18W - Applications





THANKS FOR YOUR
ATTENTION